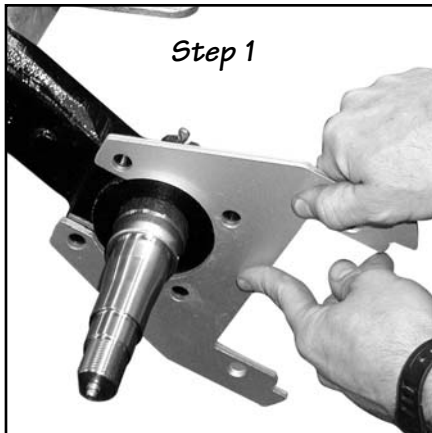


Installation Instructions for Vented Disc Brakes*

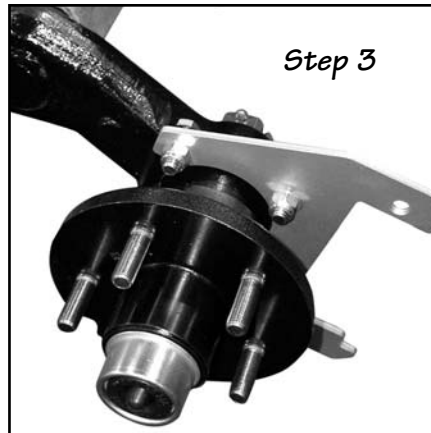
Instruction sheet part # 15382 Revised 08/4/2003

Installation Instructions for **TIE DOWN ENGINEERING** Brand **GalvX Coated Vented Disc Brakes**

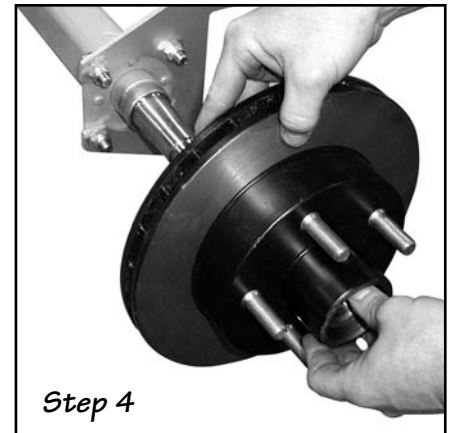
* A "Disc Brake Ready" Actuator must be used with these brakes.



Step 1



Step 3



Step 4

1. On a bare axle attach mounting plate to the brake flanges on the axle. Preferred position is at "12:00" high or to the back side. Exact positioning will be determined by the brake flange. Use 7/16"x1-1/4" zinc hex bolts, lock nuts/washers and torque to 20 lbs.

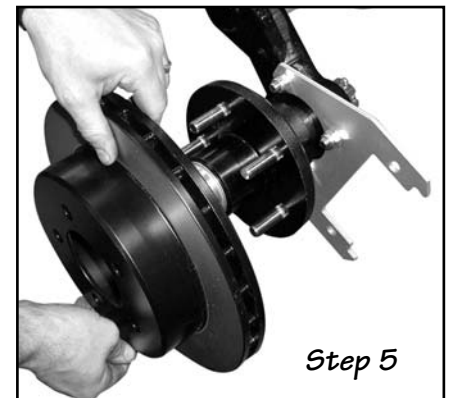
2. If installation is on a completed trailer, remove tire/wheel. This would be a good time to repack wheels and inspect the bearing and seals if it has not been done recently.

3. Install hub (use existing instruction on installing hubs).

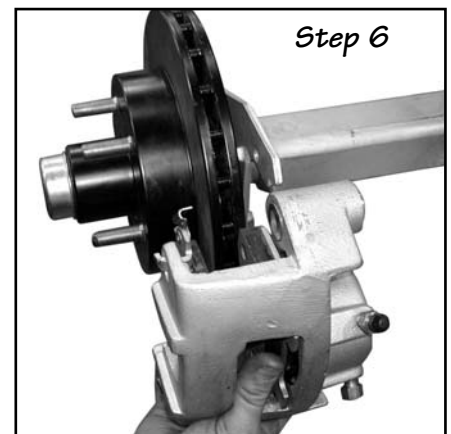
4. If installing a integral or "one piece hub rotor", install rear bearing and seal grease bearings, install front bearings (use existing instruction on installing hubs).

5. Place cap style rotor over hub. Make sure the hub face is clean with a smooth surface.

6. Place caliper over rotor and mounting plate. Bleeder valve must be in the up position. Check both calipers for this position.



Step 5



Step 6

Instruction #15382

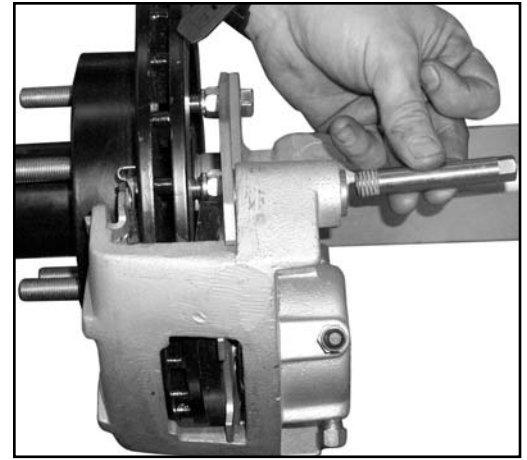
TIE DOWN ENGINEERING • 5901 Wheaton Drive • Atlanta GA, 30336
www.tiedown.com • (404) 344-0000 • Fax (404) 349-0401



080403,553

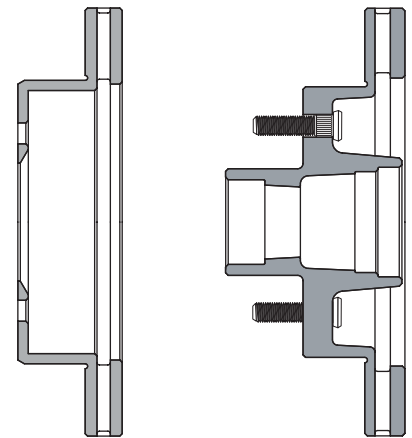
7. Insert slider pins thru backside of rotor into mounting plate. Use a 7/16" hex socket and tighten both pins to 20 ft. lbs. Check for binding, make sure rotor spins freely.

8. Connect brakes lines and bleed brakes before using.



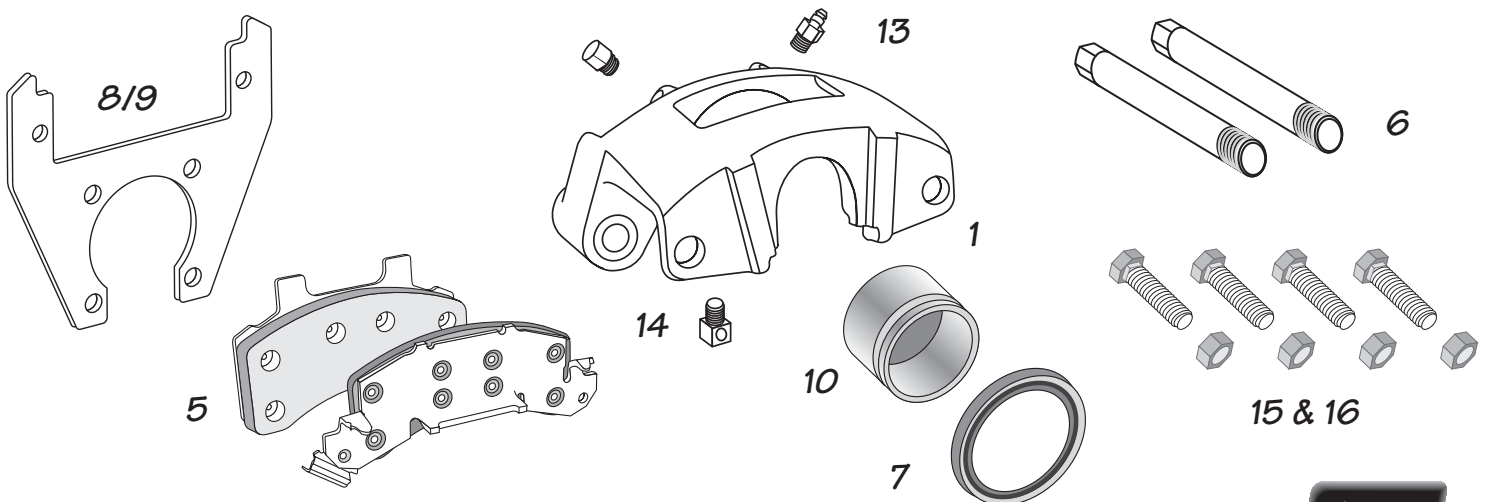
Step 7

Item	Part No.	Description
1	46250	Disc brake caliper for vented rotor
2	46246	10" Cap Style vented rotor, E-Coat
3	46245	10" Integral hub and vented rotor, E-coat
2	46247	12" Cap Style vented rotor, E-Coat
5	TBA	Brake pads, use NAPA #TS-7192-M (for 1990 Chevrolet Cavalier) OR: IBN #289 and MXD289
6	12112	Slider Pin, Stainless Steel (2)
7	17468	Rubber boot, caliper
8	44575	Mounting bracket for 46245 - 10" integral rotor
9	44576	Mounting Bracket for 46246 - 10" Cap style rotor
10	11252	Caliper piston, stainless steel
11	44577	Mounting bracket for 46247 -12" cap style rotor
12	46212	Hub with extended studs (used with 44576)
13		Bleeder Valve
14		Inlet elbow for brake line
15		Bolts (4)
16		Nuts (4)



"Cap Style"
Vented
Brake
(2)

"Integral"
Vented
Brake
(3)



TIE DOWN ENGINEERING • 5901 Wheaton Drive • Atlanta GA, 30336
www.tiedown.com • (404) 344-0000 • Fax (404) 349-0401



080403,553