



The best thing on wheels comes from Phoenix™
with Stud Extenders

LIGHT DUTY D.O.T.Liner®
with Tubular Stud Extenders

Packing List

Front Axle Set	Rear Axle Set
<ul style="list-style-type: none">• (2)- Front wheel simulators• (4)- Right hand tubular stud extenders• (4)- Right hand jam nut/lug nut cover combination• (2)- Center hub logos• (1)- Installation tool	<ul style="list-style-type: none">• (2)- Rear wheel simulators• (4)- Right hand tubular stud extenders• (4)- Right hand jam nut/lug nut cover combination• (2)- Center hub logos• (1)- Installation tool

INSTALLATION INSTRUCTIONS

Note: This system can be installed with the installation tool provided. No other tools are necessary. Do not use power tools for installation. Phoenix™ recommends storing the tool with the vehicle's tire tool for future use.

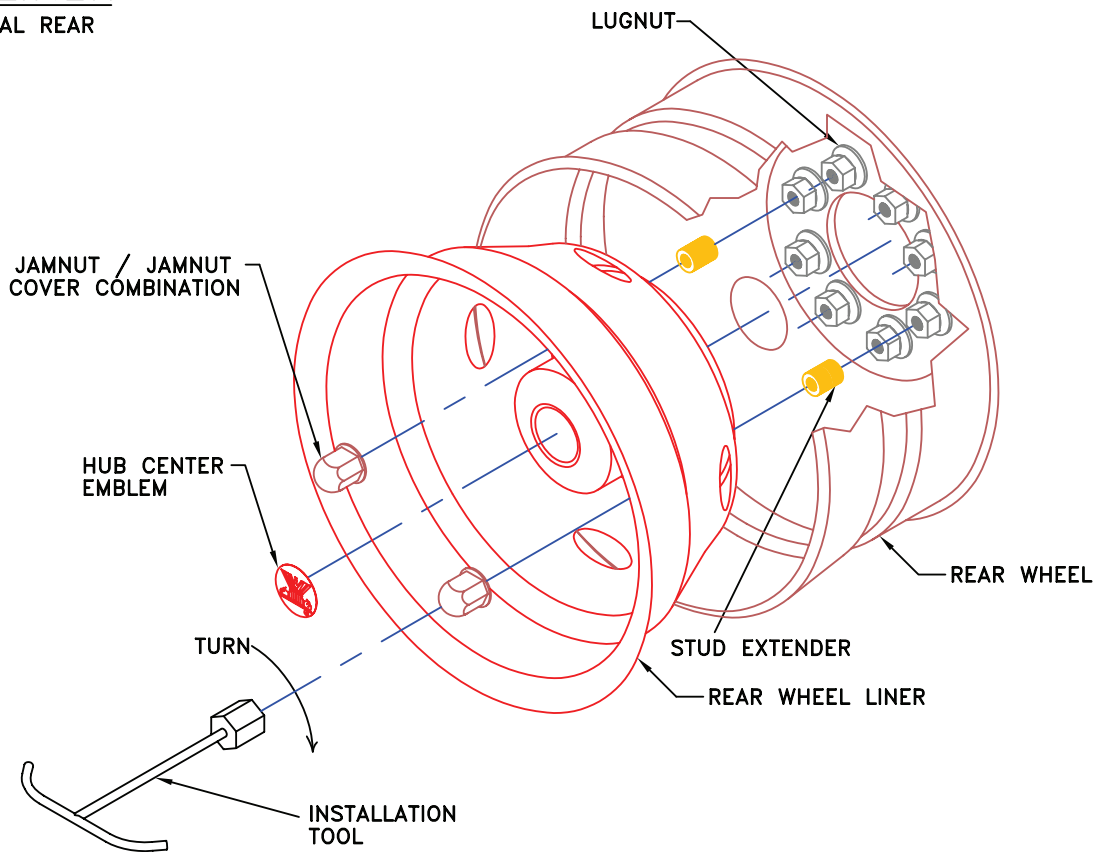
Assembly Drawings on Back

1. Do not remove the original equipment lugnuts.
2. Determine correct placement of stud extenders required for proper hand hole alignment.
3. Install appropriate stud extender on the portion of the wheel studs that protrudes through the original equipment lug nut on opposing studs. Tighten stud extenders with included installation tool.
4. Install liner over stud extenders. Now, install the jam nut covers with the built-in jamnut onto the stud extenders. Use the included tool to tighten the jam nuts.
5. Complete the wheel cover installation by applying hub center emblem.
6. Repeat steps 2 through 6 for the installation of the other wheel and axle covers.

Phoenix USA, Inc. Wheel Simulator Limited Warranty

Phoenix USA, Inc. warrants the stainless steel wheel simulators it markets to be free from manufacturing defects for a period of 3 years from initial sale to the initial purchaser. Any potential claim should be initiated by contacting the warranty department at Phoenix USA, Inc. to request a Returned Goods Authorization number so that the defective item only can be returned to Phoenix USA, Inc. for inspection and evaluation. If it is determined that the part in question was, in fact, defective, the defective part will be replaced at no charge. Note: Phoenix USA, Inc. Stainless Steel Wheel Simulator products are protected under one or more of the following Patents: #4,932,724; #5,096,263; #5,193,884; #5,205,614; #5,205,616; #5,277,478; #5,286,093; #5,645,324; #5,669,672; #5,676,430; #5,695,257; #5,722,735; other patents pending.

DOTLINER®
TYPICAL REAR



DOTLINER®
TYPICAL FRONT

