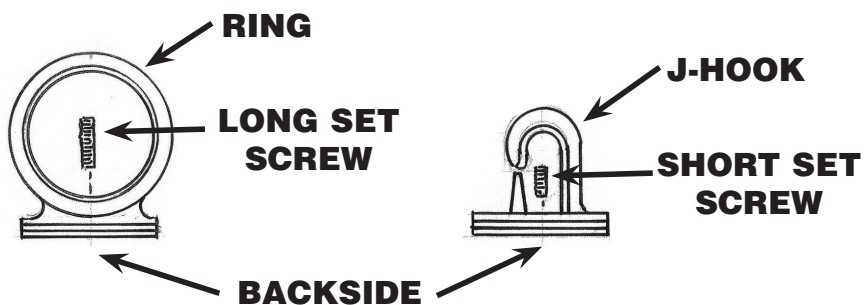
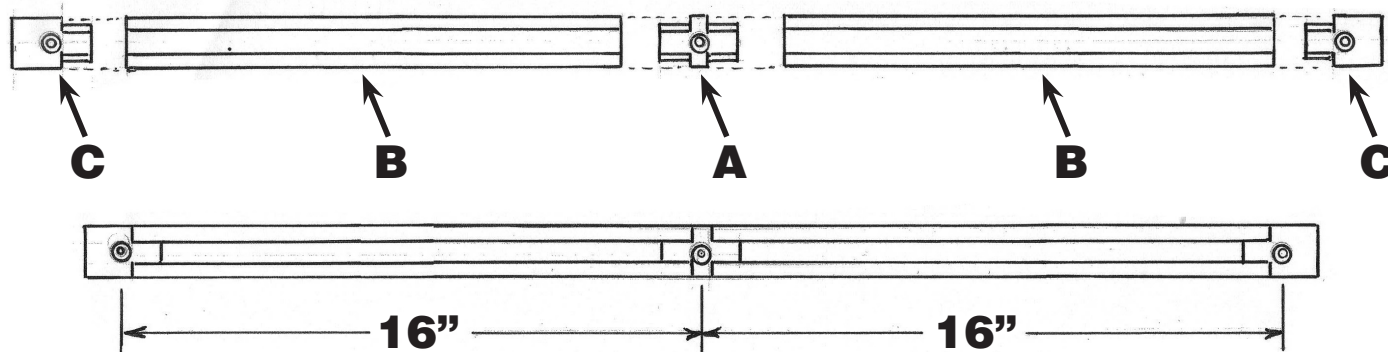


# TRAC-A-ROD PLUS - #1083



## ASSEMBLY & MOUNTING INSTRUCTIONS

1. Screw in the set-screws ( "Long Set-Screws" into "Rings" and "Short Set-Screws" into "J-Hooks".) **NOTE: Screwing set-screws in from the backside will make this process easier.**
2. Locate position of Trac on wall, ceiling, overhead, etc.
3. Starting with the center, measure 16" left and right of center and mark hole locations.
4. Screw in connector "A" and connect Trac's "B" to connector "A". **NOTE: If Trac is difficult to slide over "A", back screw out 1-2 turns.**
5. Now slide "Rings" (4 on each Trac section) onto bottom Trac sections. You will repeat these steps on the top Tracs using the "J-Hooks" instead of the "Rings".
6. Connect "End Caps" "C" to Trac and screw in place.

**NOTE: We recommend using #8 wood or sheet metal screws, flat head or oval head. Also, pre-drill holes before mounting.**

### Surface - Screw Choice

- Wood Surface = Wood Screws
- Fiberglass Surface = Sheet Metal Screws
- Drywall = Drywall Screws
- Cement Surface = Anchor Screws with Insert.

**Made in USA**