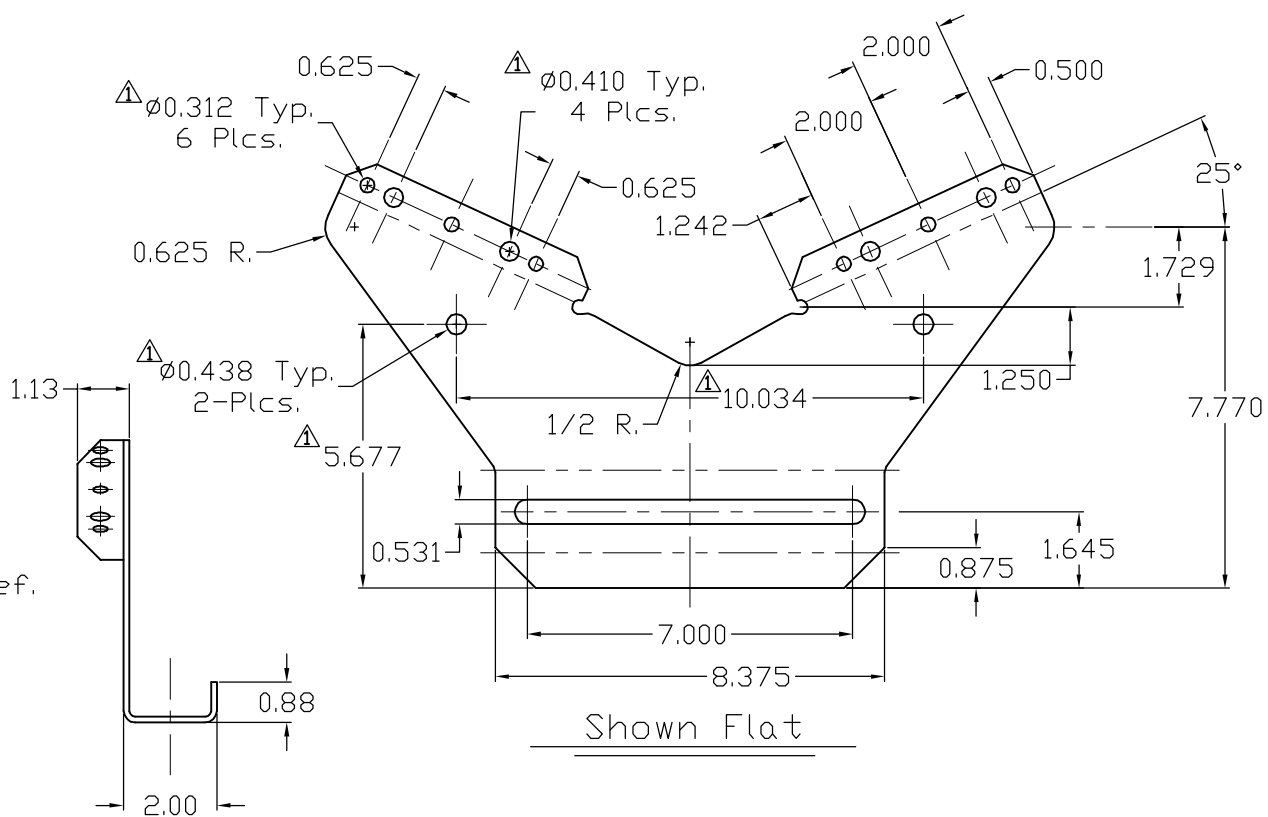


Form Details

Linear Tols. ±.06

① 9.120 X 15.677 X 11Ga.



Shown Flat

Note:
1.Finish - Galvanized.

1					05/31/05	R.C.	KFV	HOLES TO DEC. (FRACTS.), ADDED DIMS, FORMED TOLS. TO ±.06		TOLERANCES (EXCEPT AS NOTED)		Tie Down Engineering	
REV.					DATE	EFFCTV.	BY	DETAILS		SCALE	DATE	DWG. NO.	REV.:
										ACAD	3-29-01	44004	1
										DECIMAL (+,-) 0.032		5901 Wheaton Drive Atlanta, Georgia 30336	
										ANGULAR (+,-) 1		TITLE Tall Pontoon Bunk Bracket	