

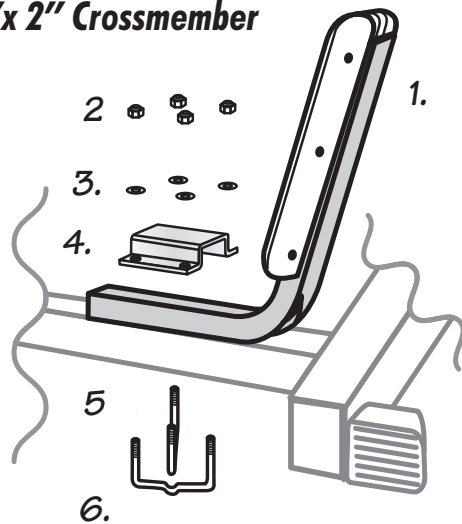
Low Rider Guide On's

Model #86466

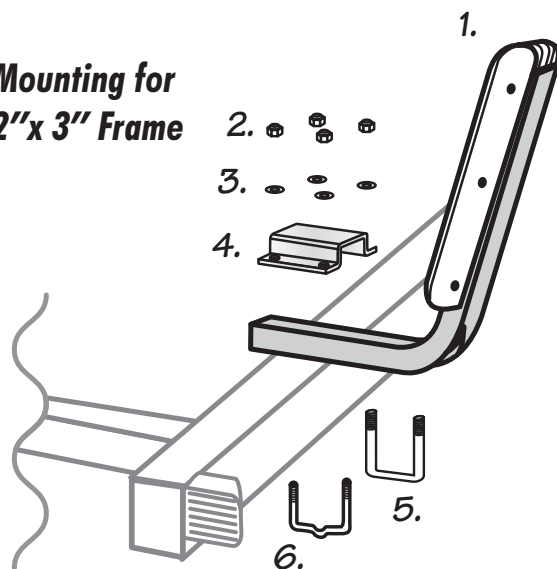
best in the
LongRun

- Ideal for jon boats, bass boats and personal watercraft
- Non marking high impact covers
- Hot dip galvanized steel tubing
- Fits over 2"x 2" & 2"x 3" tubes
- 20" overall height

Mounting for 2"x 2" Crossmember



Mounting for 2"x 3" Frame



Parts List:

#	Qty.	Description
1	2	Guide Tube Assembly
2	8	Nylock Nut 3/8"
3	8	Washer 3/8"
4	2	Bracket Channel
5	2	U-bolt 3/8"x 5"
6	2	U-bolt 3/8"x 5" with cross relief

Installation Instructions

1. Using the bracket channel (4) and guide tube (1) as a guide, check position on cross beam or frame for product placement, the bracket channel (4) can be placed in the up or down position.
2. Place one straight u-bolt (5) and one cross over u-bolt (6) over or under the frame. Make sure the cross over u-bolt overlaps the straight u-bolt (see note below). Position bracket channel (4) over/under the u-bolts. Loosely attach washers (3) and nylock nuts (2).
3. Inset a guide tube (1) into the bracket channel (4) place both for final position.
4. Make sure the guide tube is properly seated within the bracket channel, the cross relief u-bolt rest over the straight u-bolt and the guide tube mounts at a 90° angle to the frame.
5. Finish tightening the u-bolts.

NOTE: On 2"x3" tube the u-bolts are not "Cross mounted".

Instruction Sheet #08118

TIE DOWN ENGINEERING • 255 Villanova Drive SW • Atlanta, GA 30336
www.tiedown.com (404) 344-0000 Fax (404) 349-0401



110309, A1073