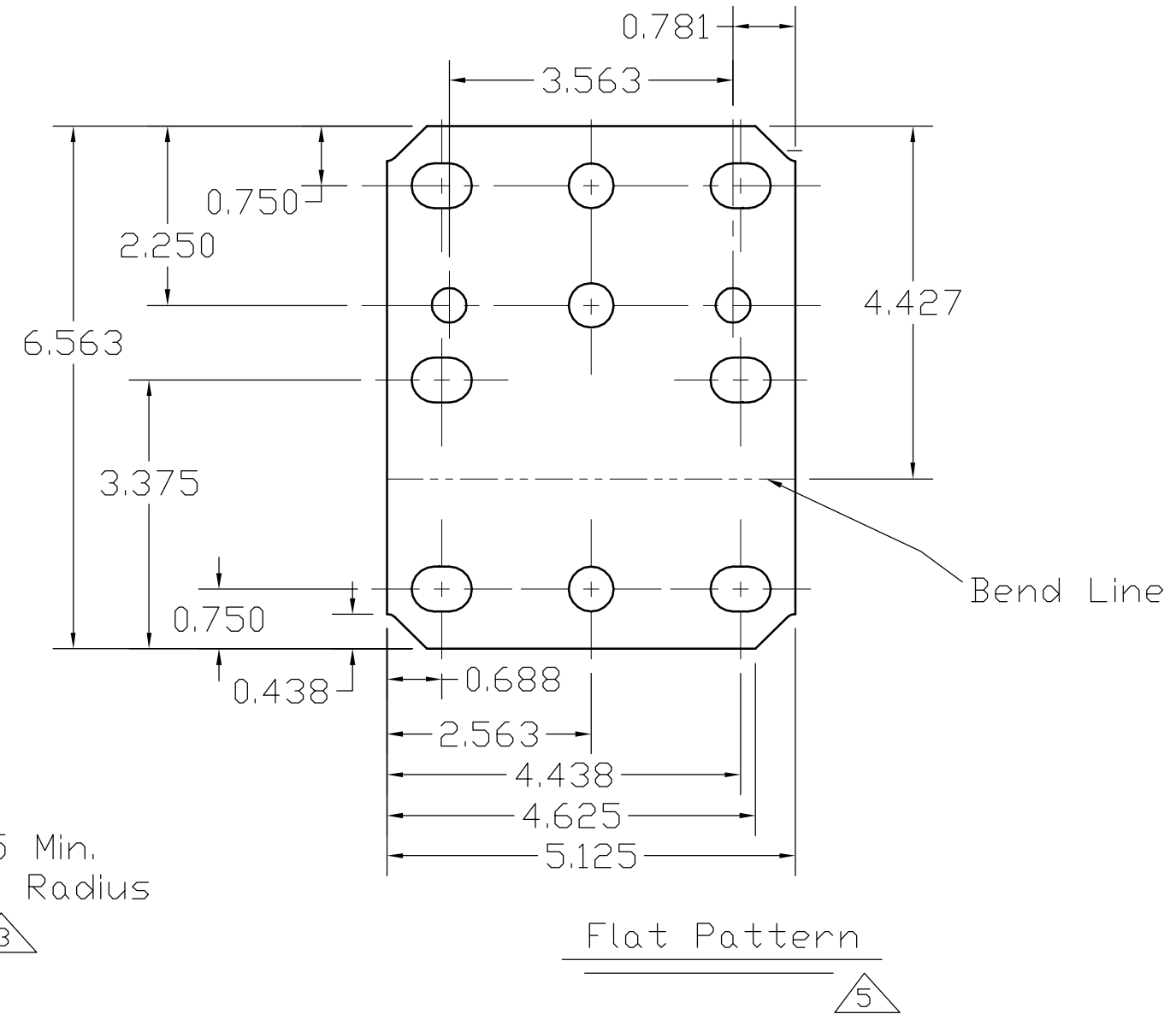
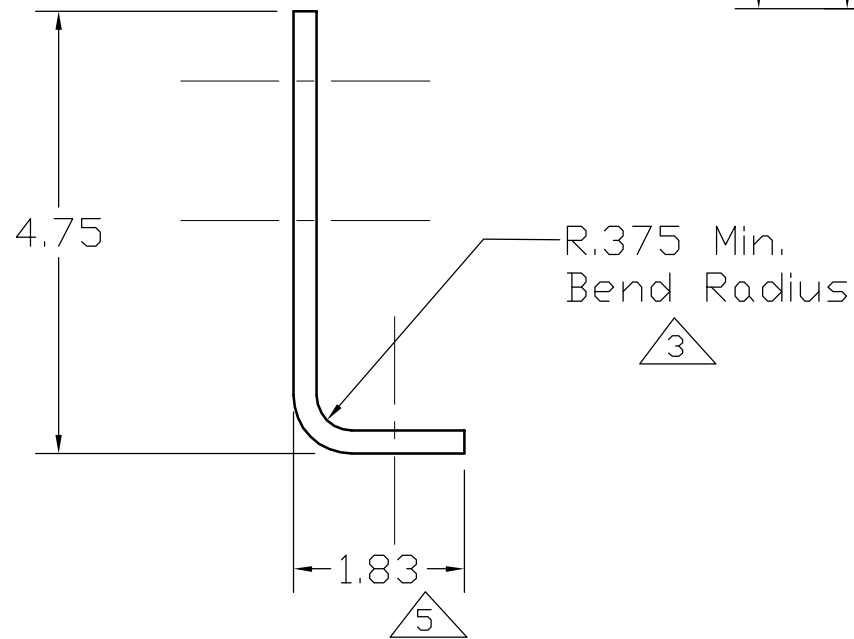
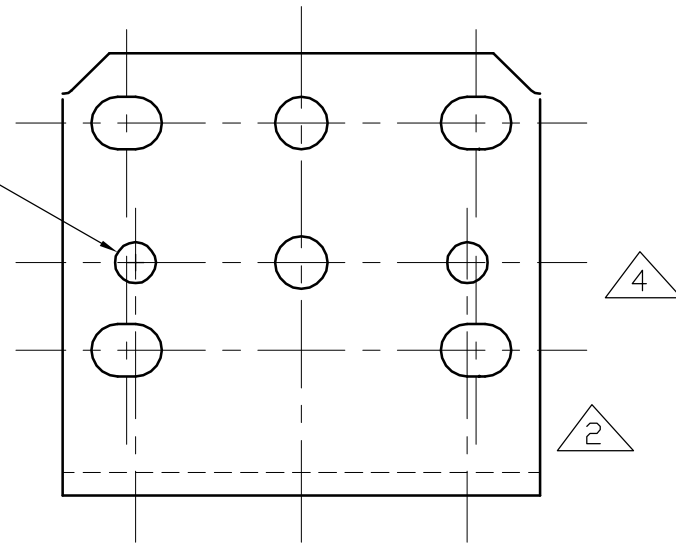
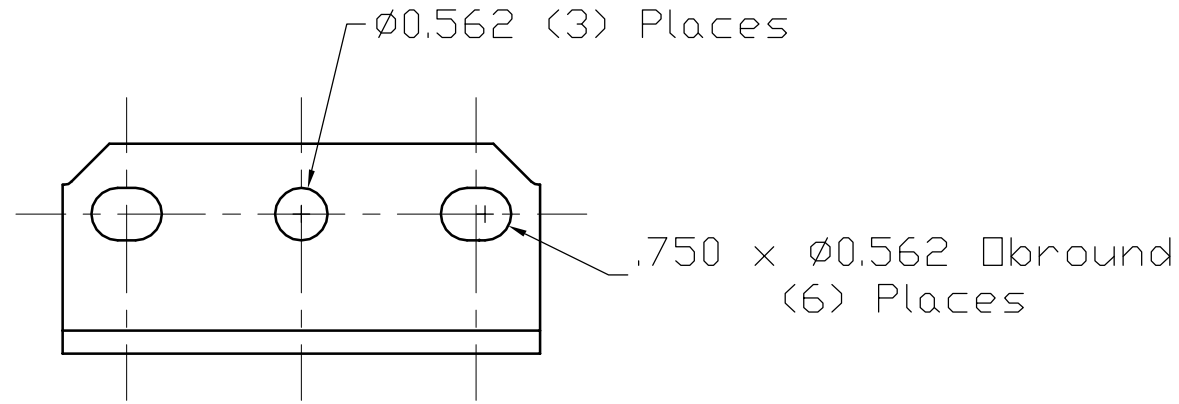


Form Detail

Linear Dimensions ±.06



① 5.125 X 6.563 X .250

Note:
1.Finish - Galvanized.

5	6-15-05	Added 1.83, and Bend Line, TJP	TOLERANCES (EXCEPT AS NOTED)	Tie Down Engineering 5901 Wheaton Drive Atlanta, Georgia 30336		
4	2-26-01	9/16 Hole Added				
3	3-28-00	Bend Radius Added	DECIMAL (+,-)0.032	TITLE Short Pivot Bracket		
2	3-16-00	□brd. Holes Were Round & Moved	ANGULAR (+,-) 1			
1	6-23-99	□brd. Holes Were Round & Moved	SCALE None	DATE 3-5-99	DWG. NO. 44035	REV: 5
REV	DATE	REVISION				