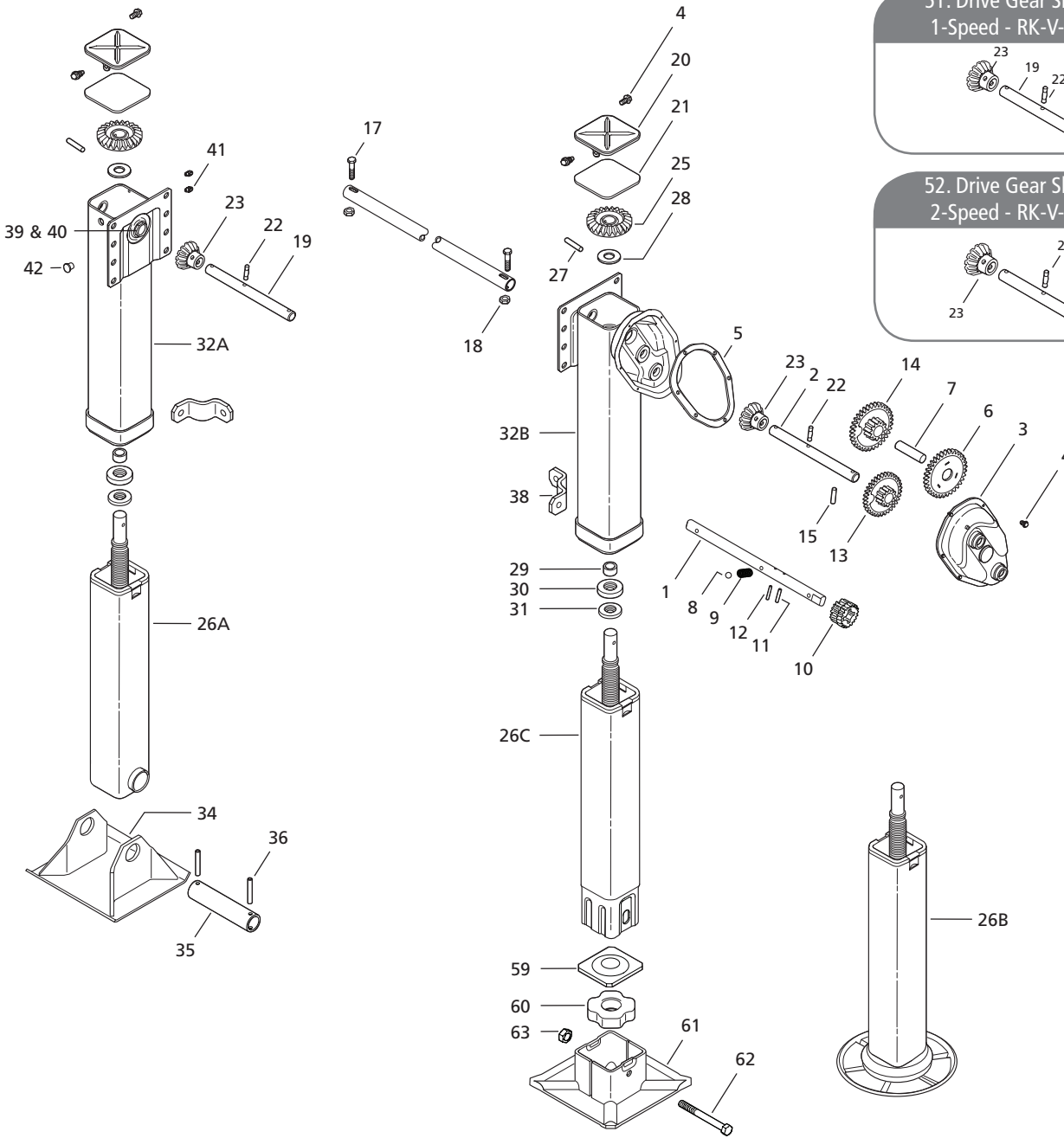


# Mark V - Exploded View



SAF-HOLLAND Group



**51. Drive Gear Shaft Kit**  
1-Speed - RK-V-07781

**52. Drive Gear Shaft Kit**  
2-Speed - RK-V-07780

**57. Extension Bracket & Shaft Kit**

LONG EXT. BRACKET - 15.56"  
SHORT EXT. BRACKET - 9.06"

**58. Extension Bracket & Shaft Kit**

LONG EXT. BRACKET - 15.44"  
SHORT EXT. BRACKET - 8.94"

**64. Bevel & Pinion Gear Repair Kit - RK-11286**

**65. Gear Box Repair Kit - RK-11287**



NO.	DESCRIPTION	PART NO.	SPEED		NO.	DESCRIPTION	PART NO.	SPEED	
			ONE	TWO				ONE	TWO
1	Shifter Shaft	SEE PAGE 18	-	1	41	Lube Fitting	XB-767	1	2
2	Drive Gear Shaft	SEE PAGE 18	-	1	41	Lube Fitting w/Extension (Not Shown)	XB-767-L	1	1
3	Gearbox Cover Assembly	XA-V-06618	-	1	42	Plastic Plug	XB-01789	1	1
4	Thread Rolling Screw	XB-06372	2	8	47	Crankshaft Bracket (Optional)	XA-V-971	-	1
5	Gearbox Gasket	XB-V-06621	-	1	48	Crank Hanger (Optional)	XB-V-1915	-	1
6	Idler Gear	XA-V-06602	-	1	49	Extension Shaft - Long (Optional) - 15.44"	XA-V-1916	-	1
7	Idler Gear Shaft	XA-V-07085	-	1	49	Extension Shaft - Short (Optional) - 8.94"	XA-V-1916-1	-	1
8	Ball	XB-BAL-023-01	-	1	50	Crankshaft Coupling (Optional)	XA-V-630-2	-	1
9	Spring	XB-SPG-020-02	-	1	51	Drive Gear Shaft Kit - 1-Speed	RK-V-07781	-	1
10	Shifter Gear	XA-V-06604-1	-	1	52	Drive Gear Shaft Kit - 2-Speed	RK-V-07780	-	1
11	Pin - .25" x 1.44"	XA-CRP-V-06633	-	1	53	Groove Pin - 3/8" x 1.38" (Optional)	XB-GP-38-138-5	-	2
12	Spring Pin - .22" x 1.50"	XB-21-S-218-1500	-	1	54	Locknut - 1/4"-28 (Optional)	XB-3103	-	3
13	Spur Gear	XA-V-06606	-	1	55	HHCS - 1/4"-28 x 3" (Optional)	XB-07618	-	3
14	Step Gear	XA-V-06603	-	1	56	Extension Bracket - Long - 15.56"	XA-V-07601-1	-	1
15	Pin - .38" x 1.5"	XA-CRP-V-06634	-	1	56	Extension Bracket - Short - 9.06"	XA-V-07601-2	-	1
17	HHCS - 3/8"-16 x 2.00"	XB-V-444-4	1	1	57	Extension Bracket & Shaft Kit - Long - 15.56"	RK-V-07602-1	-	1
18	Lock Nut - 3/8"-16	XB-338	1	1	57	Extension Bracket & Shaft Kit - Short - 9.06"	RK-V-07602-2	-	1
19	Bevel Pinion Gear Shaft (Single Speed)	SEE PAGE 18	1	-	58	Extension Bracket & Shaft Kit - Long - 15.44"	RK-V-1997-1	-	1
20	Upper Leg Cover	XA-V-06611	1	1	58	Extension Bracket & Shaft Kit - short - 8.94"	RK-V-1997-2	-	1
21	Gasket	XB-V-07054	1	1	59	Cushion Foot Plate	LG1829	1	1
22	Groove Pin .38" x 1.50"	XB-GP-38-1-12-E	1	1	60	Rubber Cushion	XB-LG0713	1	1
23	Bevel Pinion Gear	XA-V-06600	1	1	61	Removable Cushion Foot	XA-V-796-RCF	1	1
24	Shim (As Required) (Not Shown)	XB-01977	2	2	62	Hex Head Screw - 5/8"-11 x 6" - GR2	XB-HHC-050-114	1	1
25	Bevel Gear	XA-V-06601	1	1	63	Top Lock Nut - 5/8"-11 - GR.C	XB-06179-2	1	1
26A	Inner Leg & Screw Assy. - 05, 13, 15 or 23 Series	SEE PAGE 18	1	1	64	Bevel & Pinion Gear Repair Kit	RK-11286	1	1
26A	Inner Leg & Screw Assy. - 312 Series (Not Shown)	SEE PAGE 18	1	1	65	Gear Box Repair Kit	RK-11287	-	1
26B	Inner Leg & Screw Assy. - 01 Series	SEE PAGE 18	1	1					
26B	Inner Leg & Screw Assy. - 012 Series (Not Shown)	SEE PAGE 18	1	1					
26C	Inner Leg & Screw Assy. - 24 Series	SEE PAGE 18	1	1					
26D	Inner Leg & Screw Assy. - 014 Series (Not Shown)	SEE PAGE 18	1	1					
27	Pin - .38" x 2"	XA-CRP-V-06635	1	1					
28	Washer	XB-V-06632	1	1					
29	Bushing	XB-V-06630	1	1					
30	Thrust Bearing	XB-V-647	1	1					
30	Thrust Bearing - Heavy Duty	XB-V-647-1	1	1					
31	Collar	XA-V-06629	1	1					
32A	Upper Leg - 1-Speed	SEE PAGE 18	1	-					
32A	Upper Leg - 1-Speed Heavy Duty (Not Shown)	SEE PAGE 18	1	-					
32B	Upper Leg - 2-Speed	SEE PAGE 18	-	1					
32B	Upper Leg - 2-Speed Heavy Duty (Not Shown)	SEE PAGE 18	-	1					
34	Skid Foot - 4.9" x 12" x 11.5"	XA-V-796-B-1	1	1					
34	Skid Foot - 2.5" x 12" x 11.5"	XA-V-796-L	1	1					
34	Skid Foot - 3.8" x 10" x 11.5"	XA-V-796-WS	1	1					
34	Skid Foot 2.4" x 10" x 11.5"	XA-V-796-LWS	1	1					
34	Skid Foot - 4" x 12" x 16"	XA-HV-796	1	1					
35	Standard Axle	XA-V-1901-1	1	1					
35	Solid Axle	XA-V-1903-1	1	1					
35	Heavy Pipe Axle	XA-V-1902-1	1	1					
36	Rollpin - .38" x 3"	XB-21-S-375-3000	2	2					
38	Brace Lug	XA-V-1938	1	1					
39	Bearing	XB-LG0559	2	1					
40	Retainer	XB-LG1570	2	1					