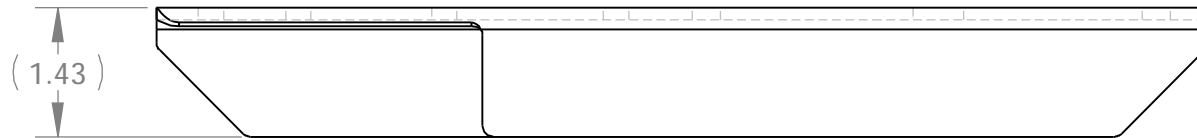
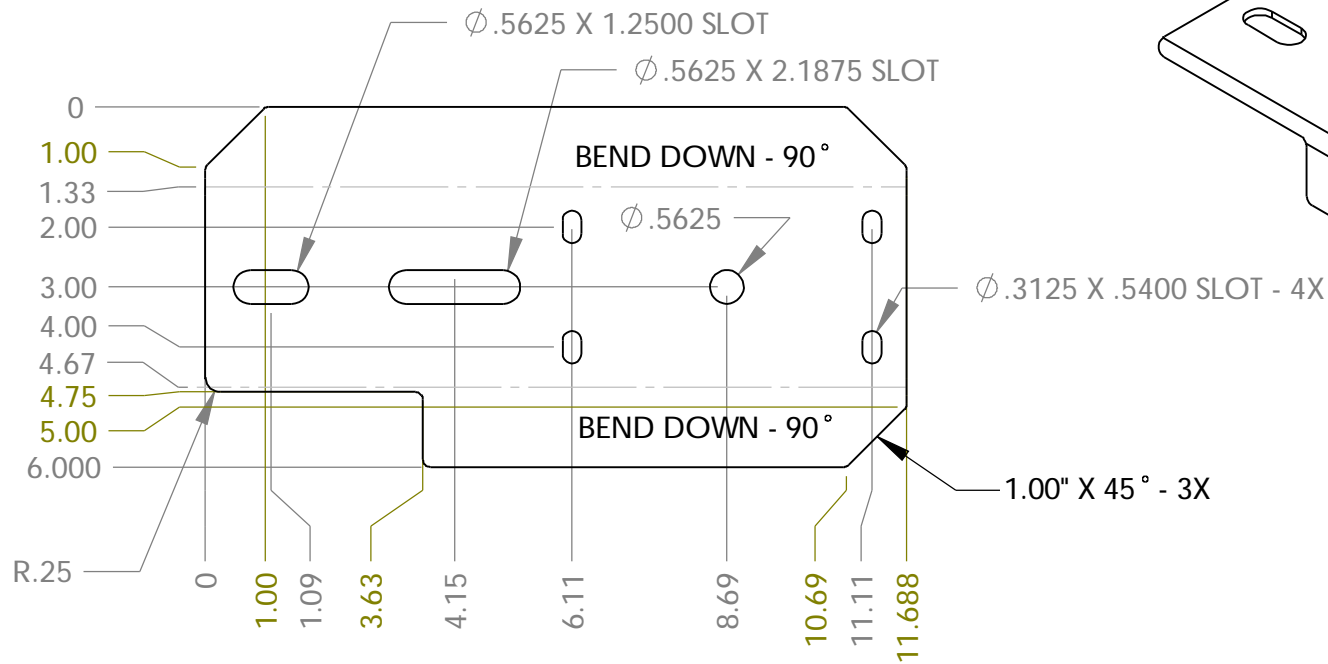
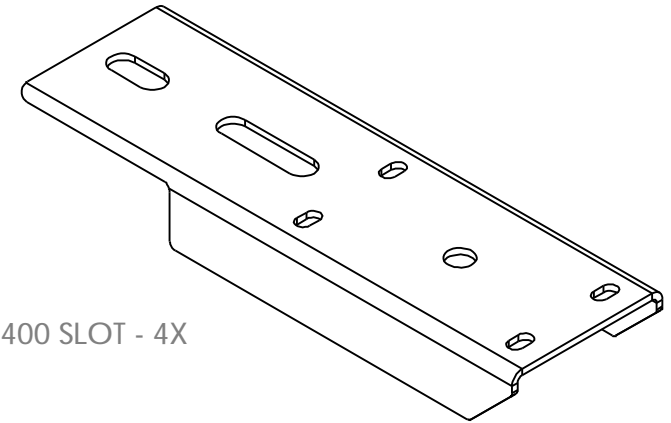
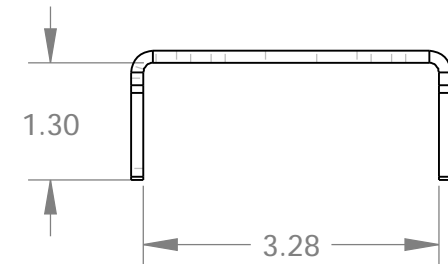


# FLAT VIEW



# FORMED VIEW



## NOTES:

1.) 60" X 120" SHEET MAKES 85 PIECES.

ALL DIMENSIONS ARE IN INCHES  
UNLESS OTHERWISE STATED  
TOLERANCES EXCEPT AS NOTED  
DECIMALS:

.X  $\pm 0.100$   
.XX  $\pm 0.060$   
.XXX  $\pm 0.030$   
.XXXX  $\pm 0.010$

ANGLES:  
 $\pm 1^\circ$

ALL FORMED ANGLES  
EQUAL  $90^\circ$  UNLESS  
NOTED OTHERWISE

( ) INDICATES REFERENCE

THE INFORMATION IN THIS DRAWING IS THE SOLE  
PROPERTY OF KARAVAN TRAILERS, INC. ANY  
REPRODUCTION IN PART OR WHOLE WITHOUT  
THE WRITTEN PERMISSION OF KARAVAN TRAILERS,  
INC. IS PROHIBITED.

APPROVED BY:  
*DOUG DRAY*

DRAWN BY:  
*CRICHTER*

DATE: 01-29-99

SHEET: 1 OF 1

SCALE: N/A



TITLE:  
TANDEM FENDER BRACKET R.H.

MAT'L: 10 GA. H.R.P.O. SHEET

FINISH: -RW, -Z

DWG. #: 100-01189

DWG. REV.	ECR/NDR NUMBER	REVISED BY	DATE	DESCRIPTION
D	11518	DAD	04-05-00	.5625 X 1.2500 SLOT WAS .5625 HOLE, .5625 X 2.1875 SLOT WAS .5625 X 1.5000, 1.09 WAS .75, 4.15 WAS 3.81
C	11324	ALT	02-07-00	SHEAR DIMENSIONS - NOW THREE DECIMAL PLACES (+/- .030) WAS TWO DECIMAL PLACES (+/- .060)