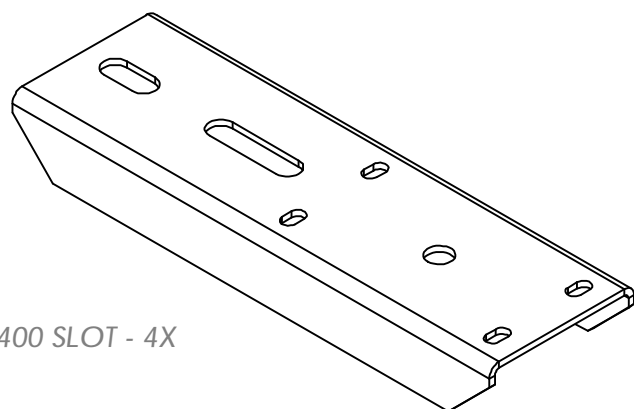
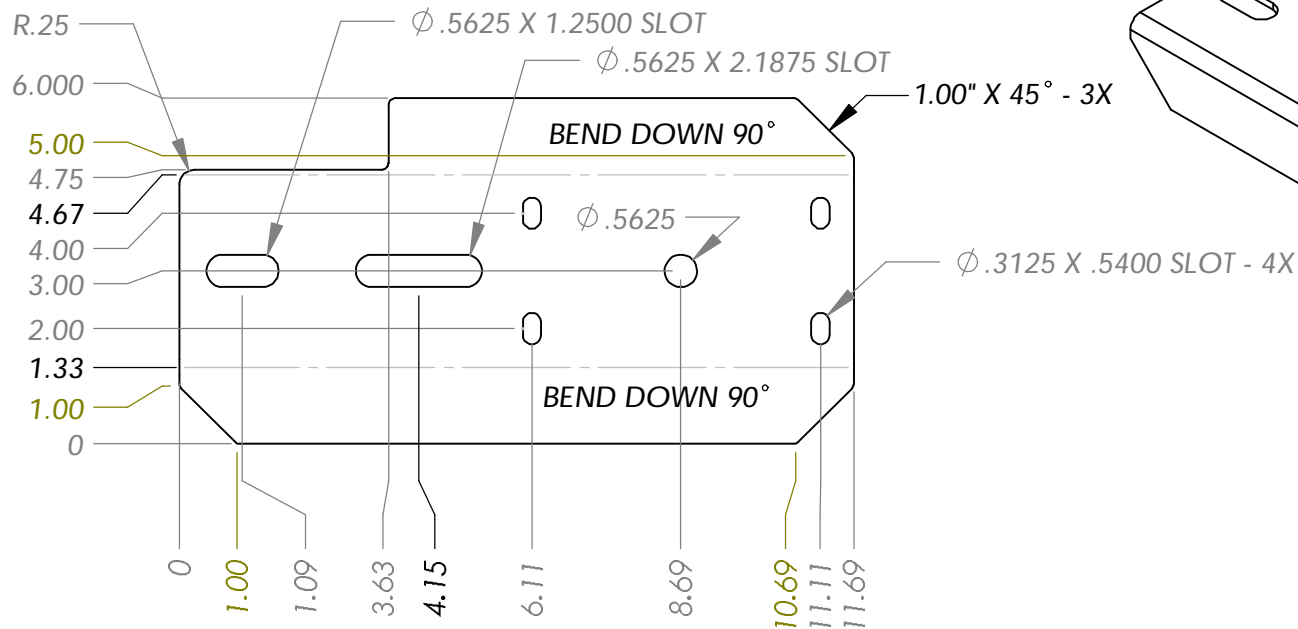
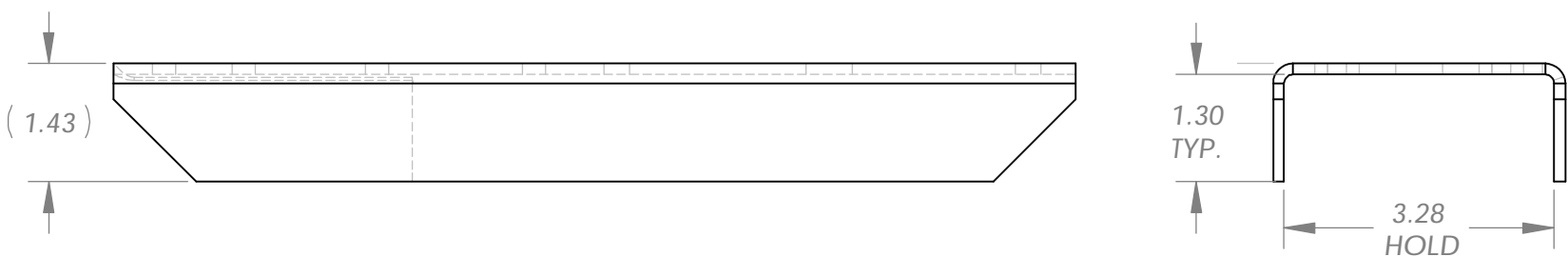


FLAT VIEW



FORMED VIEW



NOTES:

1.) 60" X 120" SHEET MAKES 85 PIECES.

ALL DIMENSIONS ARE IN INCHES
UNLESS OTHERWISE STATED
TOLERANCES EXCEPT AS NOTED
DECIMALS:

.X ±0.100
.XX ±0.060
.XXX ±0.030
.XXXX ±0.010

ANGLES:
±1°

ALL FORMED ANGLES
EQUAL 90° UNLESS
NOTED OTHERWISE

() INDICATES REFERENCE

THE INFORMATION IN THIS DRAWING IS THE SOLE
PROPERTY OF KARAVAN TRAILERS INC. ANY
REPRODUCTION IN PART OR WHOLE WITHOUT
THE WRITTEN PERMISSION OF KARAVAN TRAILERS,
INC. IS PROHIBITED.

APPROVED BY:

DOUG DRAY

DRAWN BY:

CRICHTER

DATE:

01-29-99

SHEET:

1 OF 1

SCALE:

N/A



TITLE:

TANDEM FENDER BRACKET
LEFT HAND

MATL:

10 GA. H.R.P.O. SHEET

FINISH:

-RW, -Z

DWG. #:

100-01188

DWG. REV.	ECR/NDR NUMBER	REVISED BY	DATE	DESCRIPTION
D	11518	DAD	04-05-00	.5625 X 1.2500 SLOT WAS .5625 HOLE, .5625 X 2.1875 SLOT WAS .5625 X 1.5000, 1.09 WAS .75, 4.15 WAS 3.81
C	11324	ALT	02-07-00	SHEAR DIMENSIONS - NOW THREE DECIMAL PLACES (+/- .030) WAS TWO DECIMAL PLACES (+/- .060)