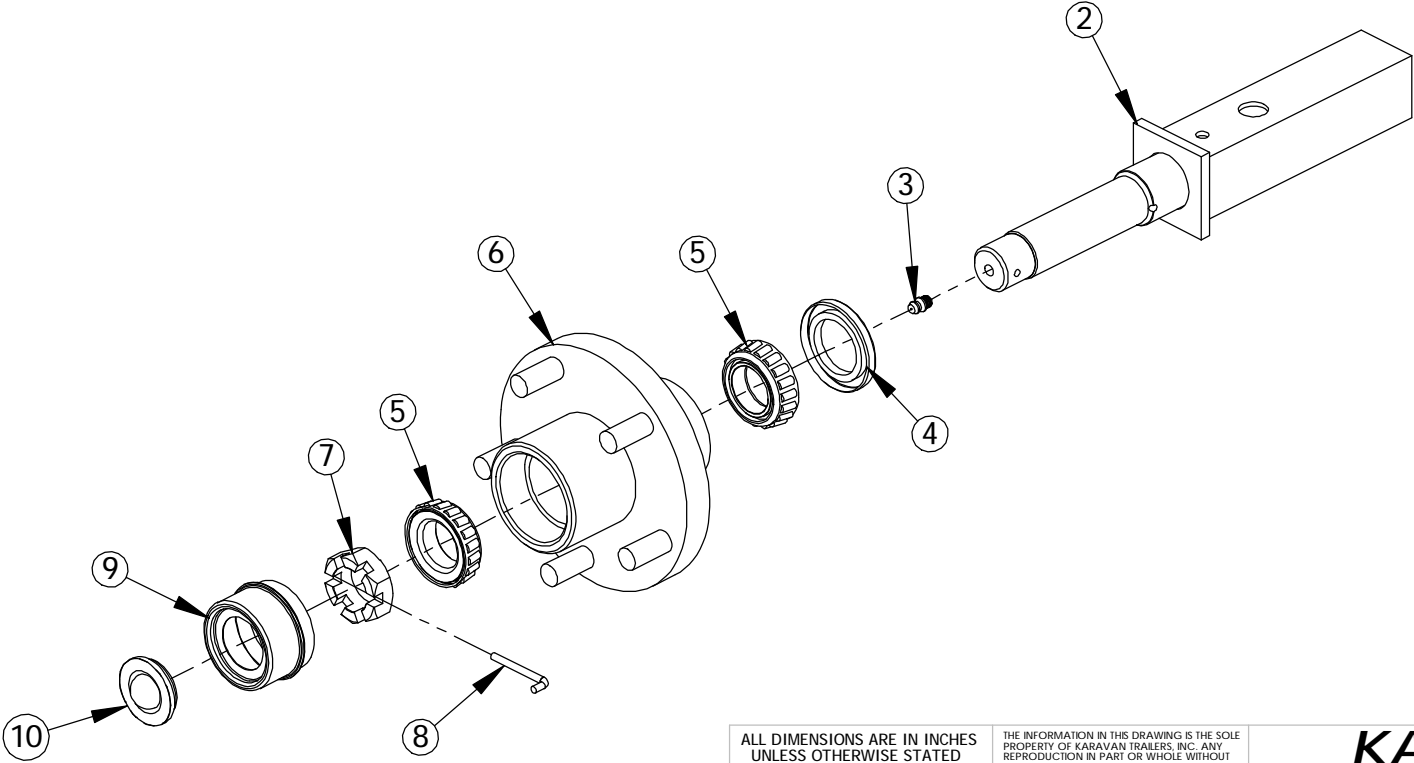
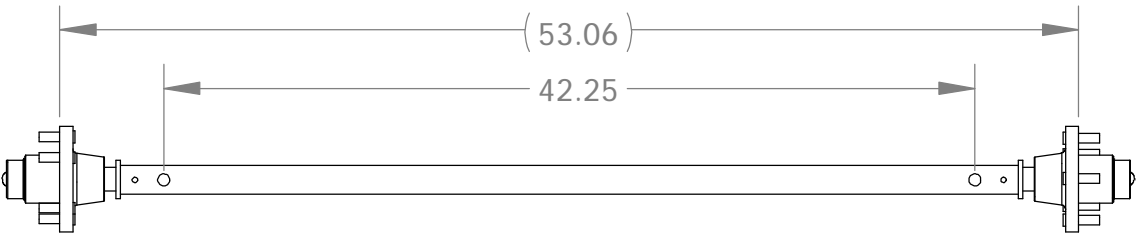


ITEM NO.	PART NUMBER	DESCRIPTION	QTY.
1	202-00002	BEARING CONE	4
2	210-00062	1.00"-14 SLOTTED JAM NUT	2
3	213-00006	5-BOLT HUB	2
4	217-00002	SEAL	2
5	229-00111	GREASE FITTING	2
6	229-00114	SAFETY PIN	2
7	229-00115	DUST CAP	2
8	229-00233	DUST CAP	2
9	300-00301	AXLE WELDMENT	1



ALL DIMENSIONS ARE IN INCHES
UNLESS OTHERWISE STATED
TOLERANCES EXCEPT AS NOTED

DECIMALS:

.X	±0.100
.XX	±0.060
.XXX	±0.030
.XXXX	±0.010

ANGLES:

±1°
ALL FORMED ANGLES
EQUAL 90° UNLESS
NOTED OTHERWISE

() INDICATES REFERENCE

THE INFORMATION IN THIS DRAWING IS THE SOLE
PROPERTY OF KARAVAN TRAILERS, INC. ANY
REPRODUCTION IN PART OR WHOLE WITHOUT
THE WRITTEN PERMISSION OF KARAVAN TRAILERS,
INC. IS PROHIBITED.

APPROVED BY:

DRAWN BY:

DATE:

05-03-97

SHEET:

1 OF 1

SCALE:

N/A

KARAVAN
TRAILERS

TITLE:
AXLE ASSEMBLY
WC-700-46 5 BOLT

MAT'L:
SEE B.O.M.

FINISH:
@ ASSEMBLY

DWG. #:
310-00333

DWG. REV.	ECR/NDR NUMBER	REVISED BY	DATE	DESCRIPTION
F	12042	MJS	09-19-01	229-00233 WAS 229-00113
E	11929	JRN	06-14-01	207-00019 REPLACED 229-00114