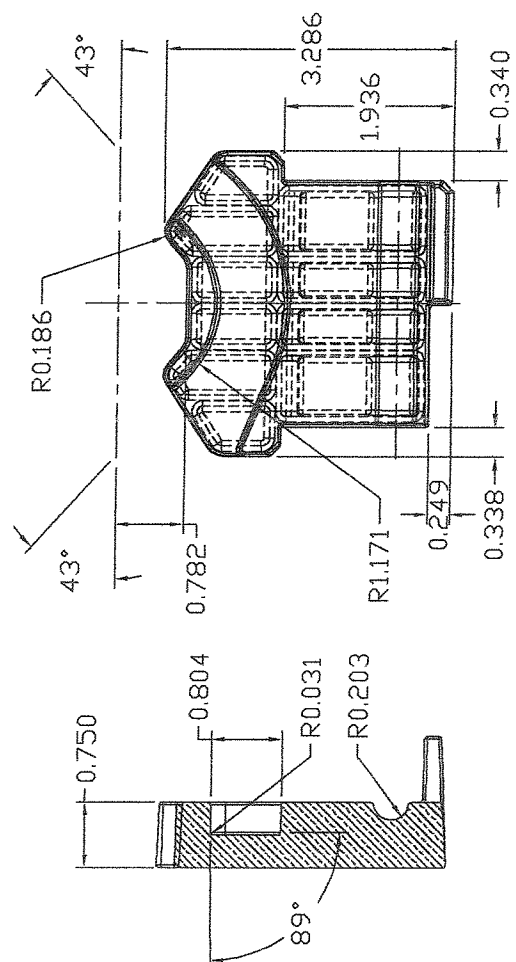
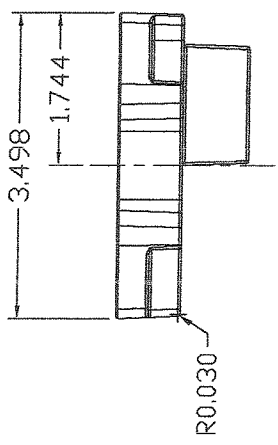


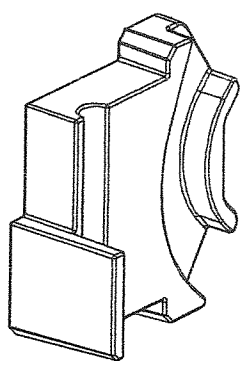
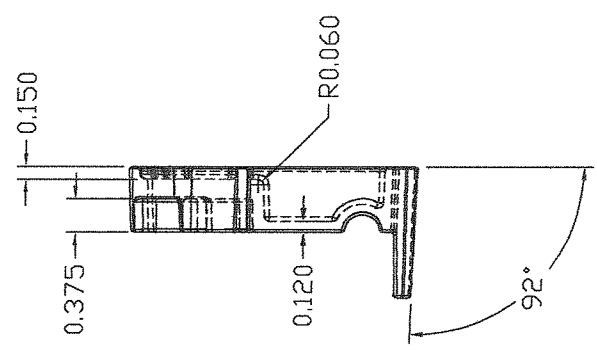
4 3 2 1

REVISION HISTORY			
REV.	DATE	EFFECTV.	BY
1	06/01/05	R.C.	KFY

DETAILS
 RESIN TO THE PART NO. 14506, 33% GLASS FILLED NYLON, BLACK GIBPE 8950/853D



SECTION A-A



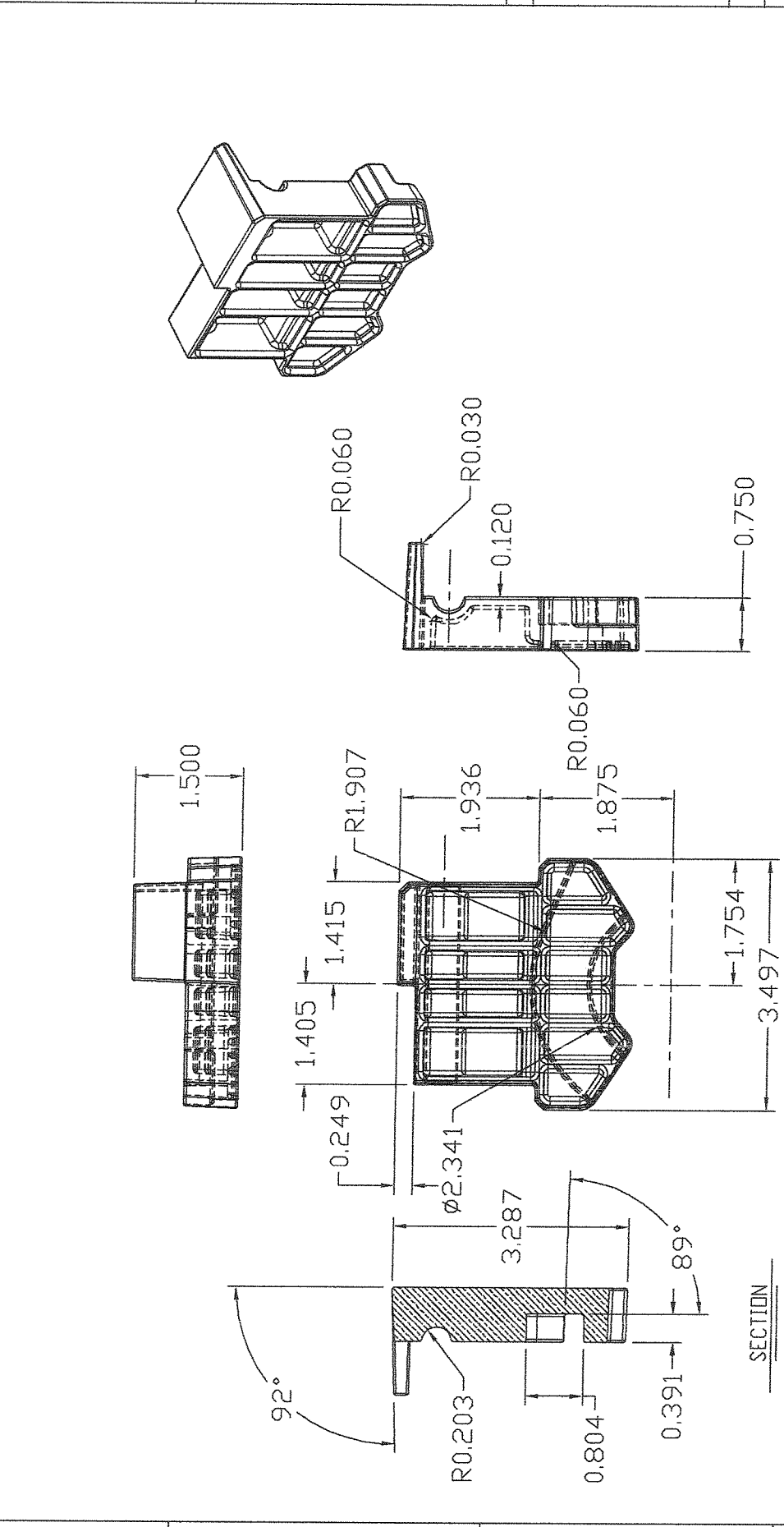
Note:
 1) Draft Angles 2° Unless Noted
 2) Material: TDE No. 14506, 33% Glass Filled Nylon 6/6
 Color: Black

TOLERANCES UNLESS OTHERWISE SPECIFIED		Tie Down Engineering 5901 Wheaton Drive Atlanta, Georgia 30336	
DECIMAL	0.125 / 1/64	TITLE	Right Hand Roller Block
ANGULAR		DATE	5-13-02
SCALE	ACAD	DWG. NO.	45012-R

4 3 2 1

REVISION HISTORY		DETAILS	
REV.	DATE	EFFECT.	BY
1	06/01/05	R.C.	KTV

RESIN TO THE PART NO. 14506, 33% GLASS FILLED NYLON BLACK GDFE 0907/0530



Note:

- 1) Draft Angles 2° Unless Noted
- 2) Material: TDE No. 14506, 33% Glass Filled Nylon 6/6
Color: Black

TOLERANCES EXCEPT AS NOTED	DECIMAL ±0.0125	ANGULAR	SCALE
Tie Down Engineering 5901 Wheaton Drive Atlanta, Georgia 30336			
TITLE		DATE	REV.
Left Hand Roller Block		5-13-02	1
ACAD	DWG. NO.	45012-L	