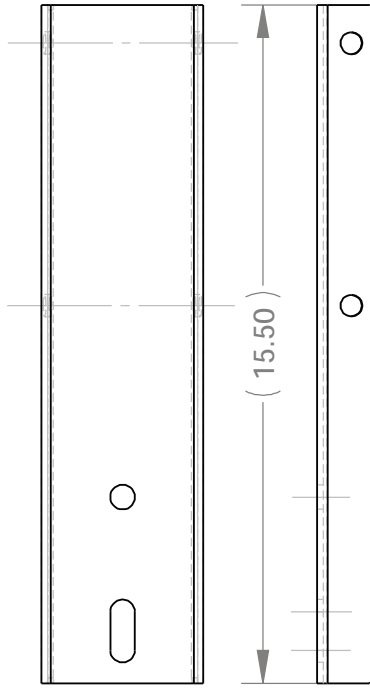
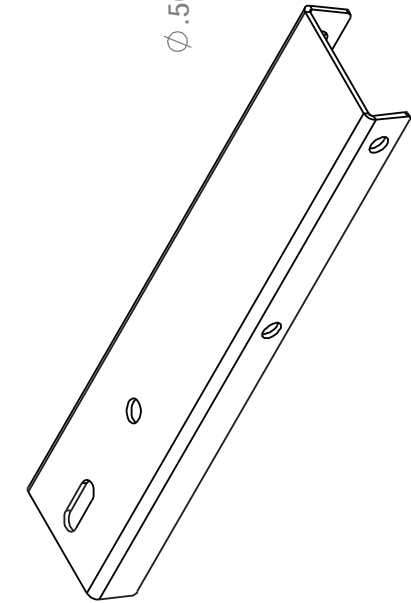
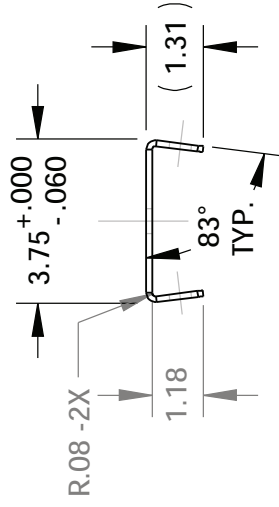
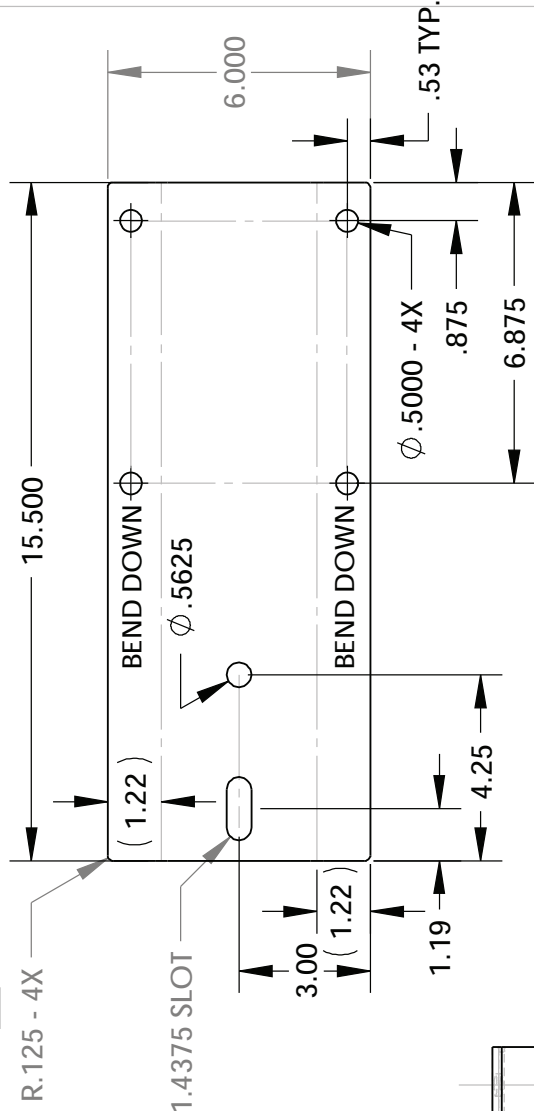


# FORMED VIEWS

1



# BLANK VIEW



## NOTES:

1 RADIUS OR SQUARE CORNER ACCEPTABLE

DWG. REV.	ECR/NDR NUMBER	REVISED BY	DATE	DESCRIPTION
J/2	14044	DLC	06-04-08	UPDATED DRAWING
J/1	14150	KDB	06-27-07	ADDED CORNER NOTE, FILLETED CORNERS

ALL DIMENSIONS ARE IN INCHES UNLESS OTHERWISE STATED TOLERANCES EXCEPT AS NOTED

### DECIMALS:

X ±0.100  
 .XX ±0.060  
 .XXX ±0.030  
 .XXXX ±0.010

### ANGLES:

+1°

ALL FORMED ANGLES EQUAL UNLESS NOTED OTHERWISE

( ) INDICATES REFERENCE

THE INFORMATION IN THIS DRAWING IS THE SOLE PROPERTY OF KARAVAN TRAILERS, INC. ANY REPRODUCTION OR TRANSMISSION OF THIS DRAWING WITHOUT THE WRITTEN PERMISSION OF KARAVAN TRAILERS, INC. IS PROHIBITED.

### APPROVED BY:

---

### ORGANIZATION:

---

### DATE:

10-09-91

### SHEET:

1 OF 1

### SCALE:

N/A

**KARAVAN**  
TRAILERS

### TITLE:

BACK REINFORCEMENT, RH

### MATERIAL:

10GA H.R.P.O. SHEET

### FINISH:

-GL

### DWG. #:

**100-00484-J**