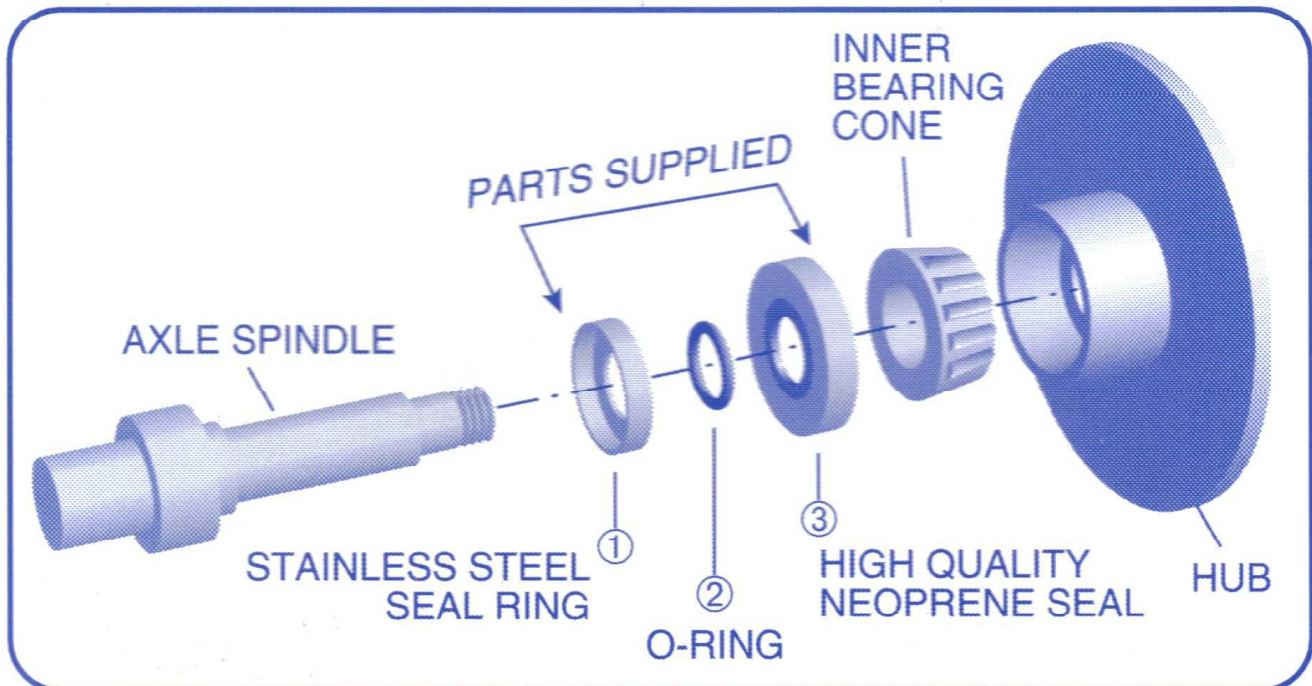


SPINDLE SEAL

genuine
by **Bearing Buddy®**

Spindle Seal is for use with Bearing Buddy® on trailers with brakes or as replacement seals.

The Spindle Seal System eliminates excessive grease leakage caused by rough sealing surfaces, which will quickly destroy any seal. With the Spindle Seal System, high-quality neoprene seals ride on a smooth stainless steel surface constantly greased by the action of the Bearing Buddy®, which prolongs the life of the seals.



SPINDLE SEAL

| Model Number | Use with Bearing Buddy® | Inner Bearing Cone | Seal Diameter |
|--------------|-------------------------|--------------------|---------------|
| 1 | 1.980 | L44643 | 1.98" |
| 2 | 1.980, 1.968, 2.562 | LM48548, L68149 | 2.56" |
| 3 | 1.980 | LM29749 | 2.56" |
| 4 | 1.938, 1.980T | 15123 | 2.63" |
| 5 | 1.980 | L44649 | 1.98" |
| 7 | 1.781 | LM67048 | 2.33" |
| 8 | 2.328 | LM67048 | 2.33" |
| 9 | 1.938, 1.980T | 15123 | 2.50" |
| 10 | 1.810 | L68149 | 2.36" |
| 11 | 2.441 | 25580 | 3.38" |