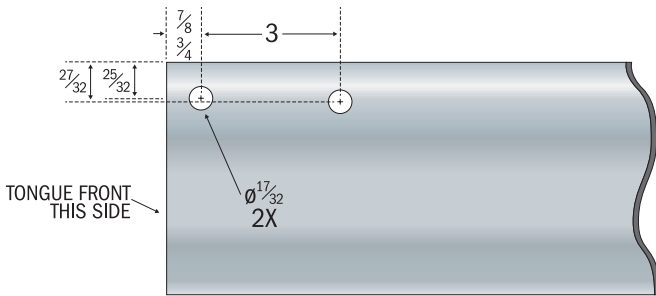
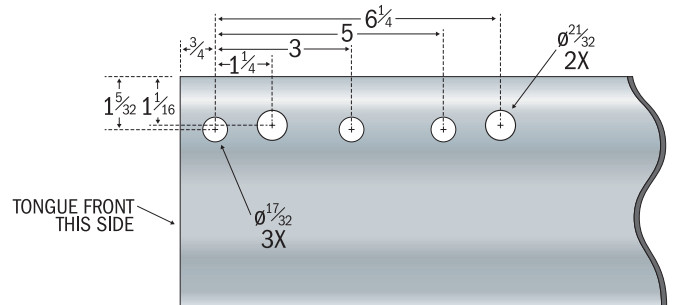


MOUNTING CHANNEL TEMPLATES

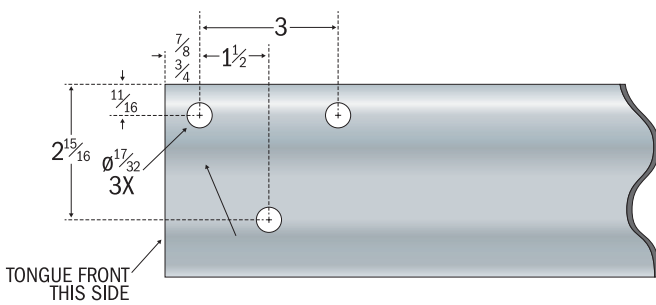
MODEL 60 ▼



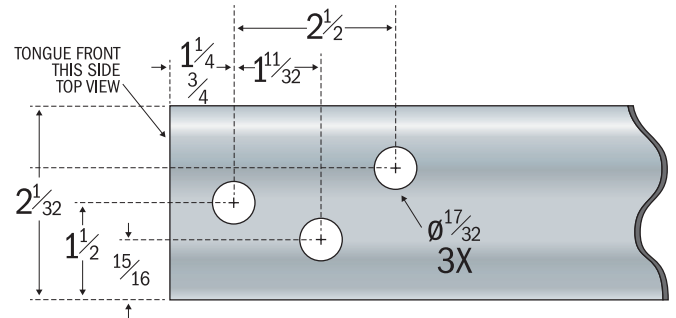
MODEL 6 ▼



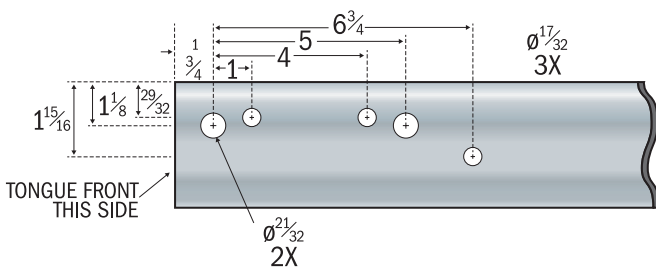
AERO 7500 ▼



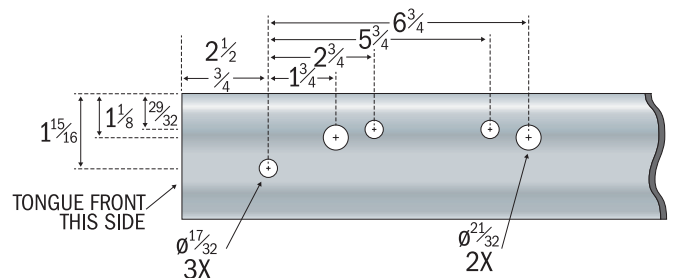
AERO 7500 SWINGAWAY ▼



MODEL 10, 16, AND 20 (1" OFFSET) ▼



MODEL 10 (2-1/2" OFFSET) ▼



DAMPER DIMENSIONS ▼

Actuator	Damper	Extended Length	Collapsed Length
MODEL 60	2336200	6.25 ± .125	4.93 ± .125
AERO 7500	4502000	6.25 ± .125	4.93 ± .125
MODEL 6	1242600	8.07 ± .125	6.00 ± .125
MODEL 10	1242600	8.07 ± .125	6.00 ± .125
MODEL 20	778400	12.13 ± .125	8.16 ± .125

