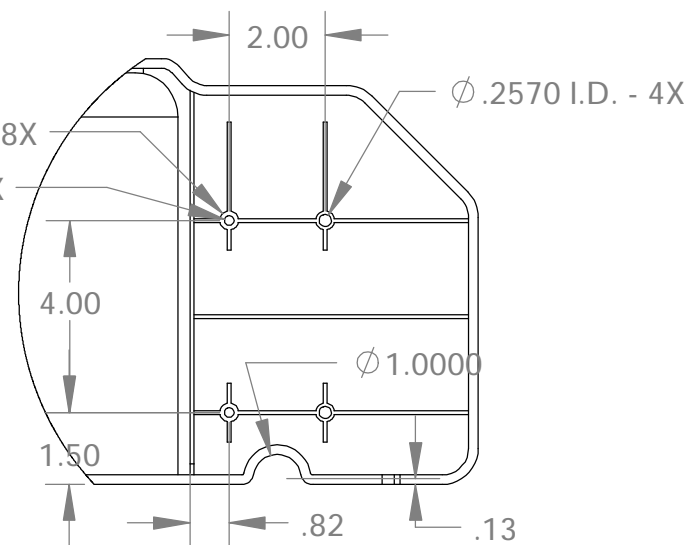
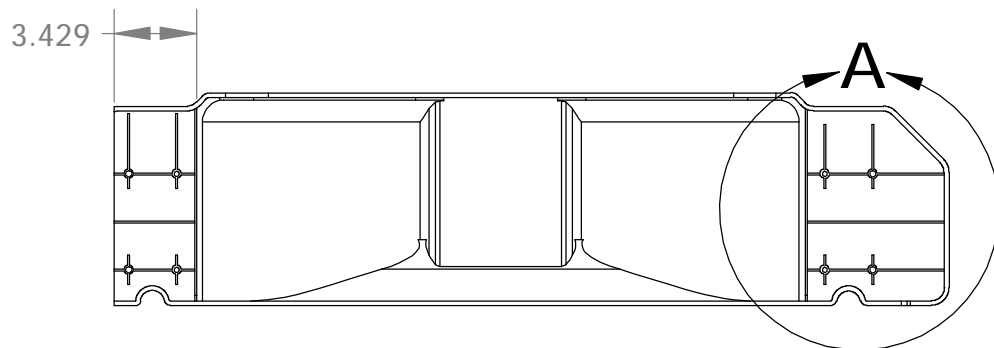


**VIEW A**



ALL DIMENSIONS ARE IN INCHES  
UNLESS OTHERWISE STATED  
TOLERANCES EXCEPT AS NOTED

DECIMALS:

.X ±0.100  
.XX ±0.060  
.XXX ±0.030  
.XXXX ±0.010

ANGLES:

±1°  
ALL FORMED ANGLES  
EQUAL 90° UNLESS  
NOTED OTHERWISE

( ) INDICATES REFERENCE

THE INFORMATION IN THIS DRAWING IS THE SOLE  
PROPERTY OF KARAVAN TRAILERS, INC. ANY  
REPRODUCTION IN PART OR WHOLE WITHOUT  
THE WRITTEN PERMISSION OF KARAVAN TRAILERS,  
INC. IS PROHIBITED.

APPROVED BY:

---

DRAWN BY:

Amy L. Thomas

DATE:

11-22-00

SHEET:

1 OF 1

SCALE:

N/A

**KARAVAN**

TRAILERS

TITLE:

12" R.H. TANDEM - FRONT FENDER

MAT'L:

PLASTIC

FINISH:

N/A

DWG. #:

100-01474

B/1	15342	KMH	02-17-12	Ø.2570 WAS Ø.2000 - 4X
B	13070	CR	10-07-05	FENDER USED TO CREATE 100-01474 WAS 206-00056 AND NOW IS 206-00086
DWG. REV.	ECR/NDR NUMBER	REVISED BY	DATE	DESCRIPTION