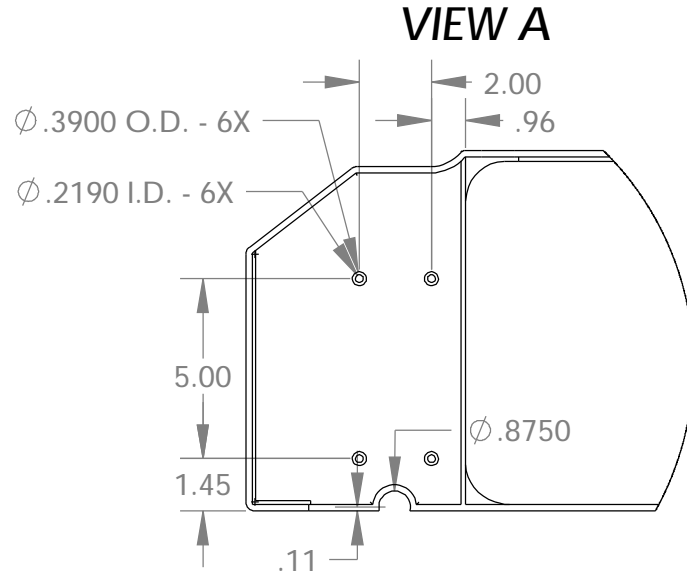


BOTTOM VIEW



ALL DIMENSIONS ARE IN INCHES
UNLESS OTHERWISE STATED
TOLERANCES EXCEPT AS NOTED
DECIMALS:

.X ±0.100
.XX ±0.060
.XXX ±0.030
.XXXX ±0.010

ANGLES:
±1°

ALL FORMED ANGLES
EQUAL 90° UNLESS
NOTED OTHERWISE

() INDICATES REFERENCE

THE INFORMATION IN THIS DRAWING IS THE SOLE
PROPERTY OF KARAVAN TRAILERS, INC. ANY
REPRODUCTION IN PART OR WHOLE WITHOUT
THE WRITTEN PERMISSION OF KARAVAN TRAILERS,
INC. IS PROHIBITED.

APPROVED BY:

DRAWN BY:
DAN PAUL

DATE: 02-09-00

SHEET: 1 OF 1

SCALE: N/A



TITLE:
13" TANDEM STEP FENDER-L.H. - FRONT
(NO LOGO)

MAT'L: PLASTIC

FINISH: -BL, -GR, -WH, -SS

DWG #: 100-01320

DWG. REV.	ECR/NDR NUMBER	REVISED BY	DATE	DESCRIPTION
C	13070	JRN	09-26-05	MATERIAL CHANGE FROM 206-00049 TO 206-00087
B	11444	DDP	02-14-00	REMOVED LOGO