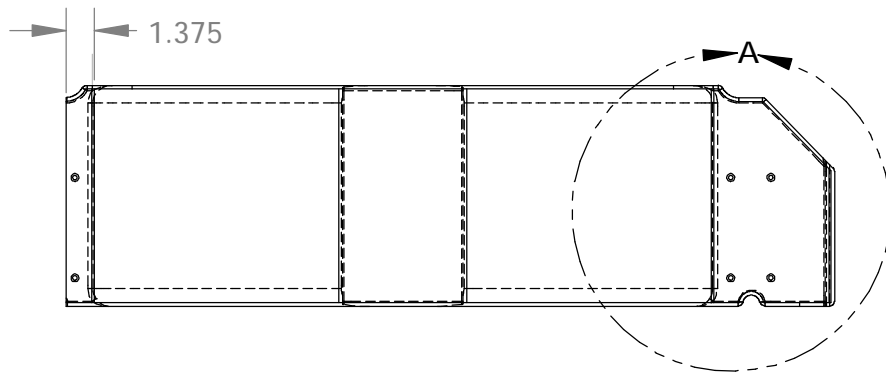
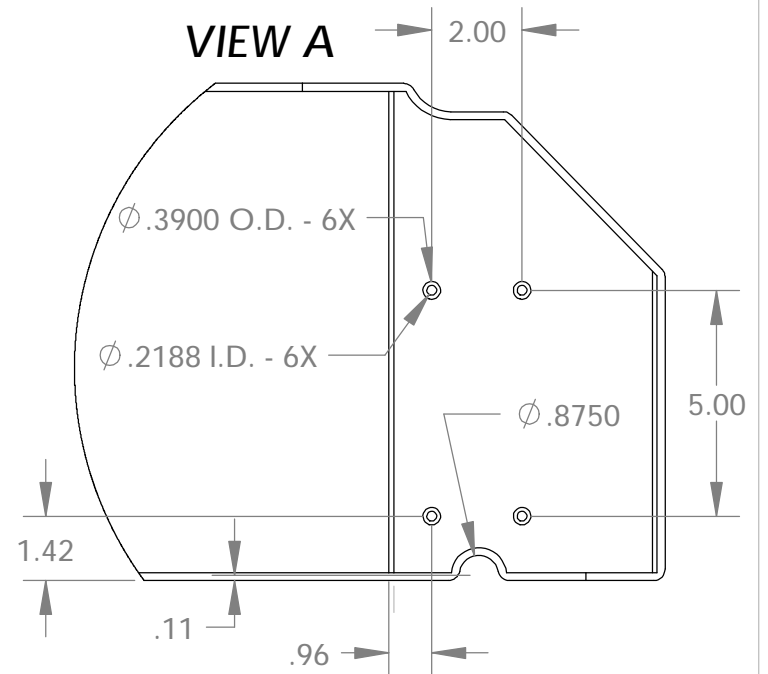


**VIEW A**



**BOTTOM VIEW**

ALL DIMENSIONS ARE IN INCHES  
UNLESS OTHERWISE STATED  
TOLERANCES EXCEPT AS NOTED  
DECIMALS:

.X ±0.100  
.XX ±0.060  
.XXX ±0.030  
.XXXX ±0.010

ANGLES:  
±1°

ALL FORMED ANGLES  
EQUAL 90° UNLESS  
NOTED OTHERWISE

( ) INDICATES REFERENCE

THE INFORMATION IN THIS DRAWING IS THE SOLE  
PROPERTY OF KARAVAN TRAILERS, INC. ANY  
REPRODUCTION IN PART OR WHOLE WITHOUT  
THE WRITTEN PERMISSION OF KARAVAN TRAILERS,  
INC. IS PROHIBITED.

APPROVED BY:

DRAWN BY:  
*DAW PAUL*

DATE:  
02-10-00

SHEET: 1 OF 1

SCALE: N/A

**KARAVAN**

TRAILERS

TITLE: 14" TANDEM STEP FENDER  
L.H. - BACK (NO LOGO)

MAT'L: PLASTIC

FINISH: -GR, -BL, -WH, -SS

DWG. #: 100-01327

DWG. REV.	ECR/NDR NUMBER	REVISED BY	DATE	DESCRIPTION
C	13070	CR	10-07-05	FENDER USED TO CREATE 100-01327 WAS 206-00052 AND NOW IS 206-00089
B	11444	DDP	02-14-00	REMOVED LOGO