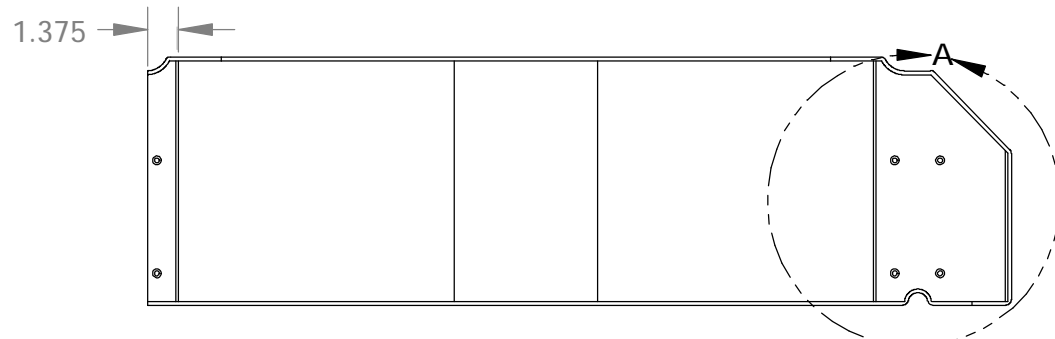
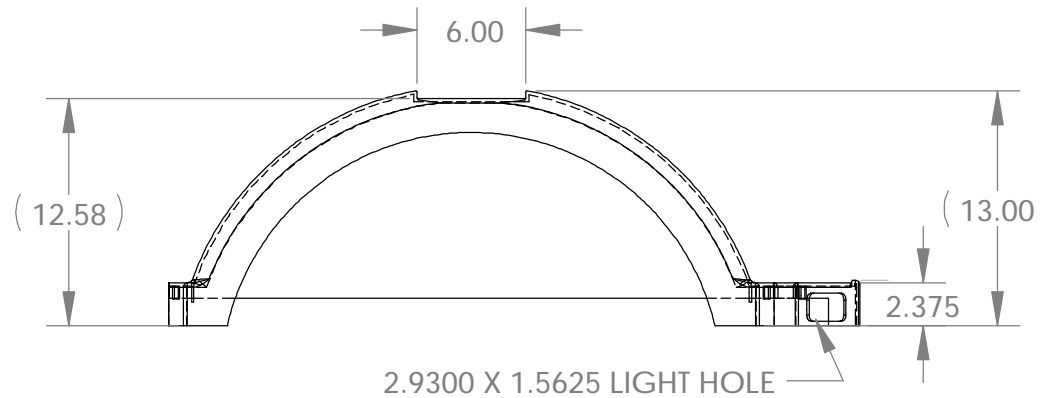
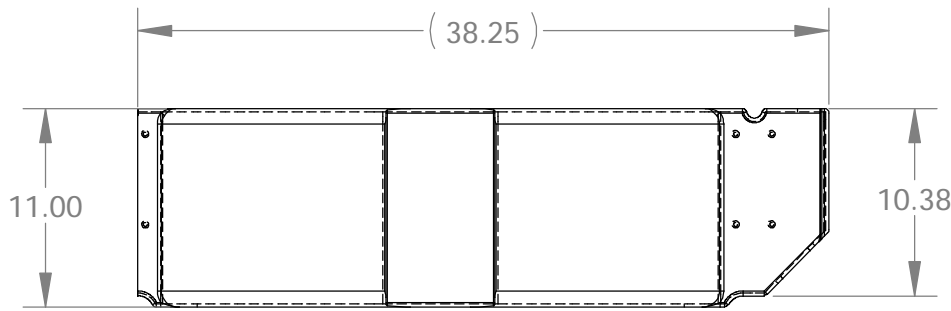
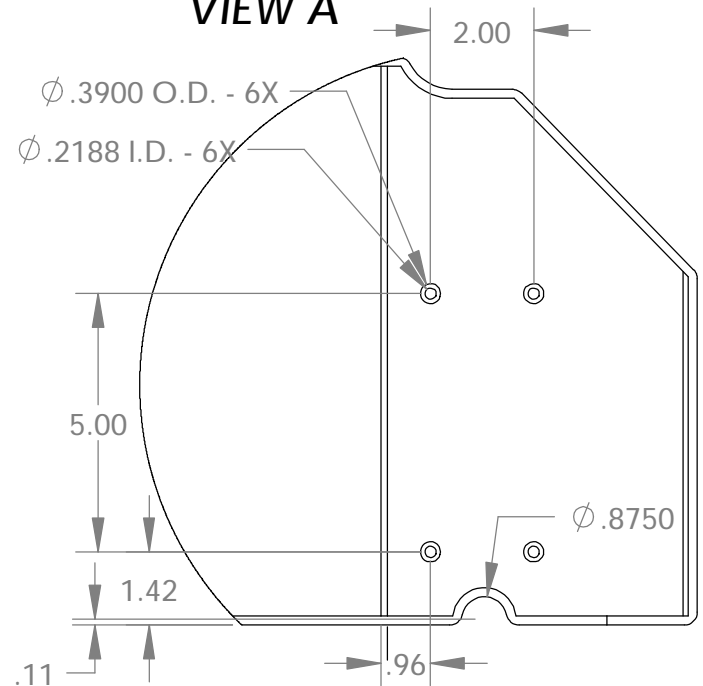


VIEW A



BOTTOM VIEW

ALL DIMENSIONS ARE IN INCHES
UNLESS OTHERWISE STATED
TOLERANCES EXCEPT AS NOTED
DECIMALS:

.X ±0.100
.XX ±0.060
.XXX ±0.030
.XXXX ±0.010

ANGLES:

±1°

ALL FORMED ANGLES
EQUAL 90° UNLESS
NOTED OTHERWISE

() INDICATES REFERENCE

THE INFORMATION IN THIS DRAWING IS THE SOLE
PROPERTY OF KARAVAN TRAILERS, INC. ANY
REPRODUCTION IN PART OR WHOLE WITHOUT
THE WRITTEN PERMISSION OF KARAVAN TRAILERS,
INC. IS PROHIBITED.

APPROVED BY:

DRAWN BY:
DAN PAUL

DATE: 02-09-00

SHEET: 1 OF 1

SCALE: N/A

KARAVAN

TRAILERS

TITLE: 14" TANDEM STEP FENDER
R.H. - FRONT (NO LOGO)

MAT'L: PLASTIC

FINISH: -GR, -BL, -WH, -SS

DWG. #: 100-01326

DWG. REV.	ECR/NDR NUMBER	REVISED BY	DATE	DESCRIPTION
C	13070	CR	10-07-05	FENDER USED TO CREATE 100-01326 WAS 206-00052 AND NOW IS 206-00090
B	11444	DDP	02-14-00	REMOVED LOGO