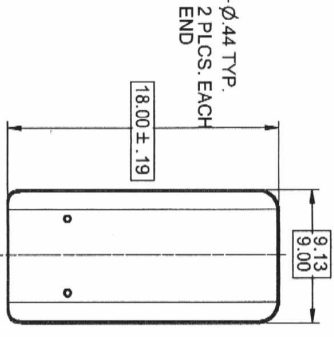
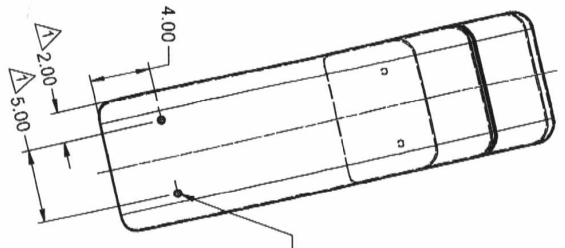
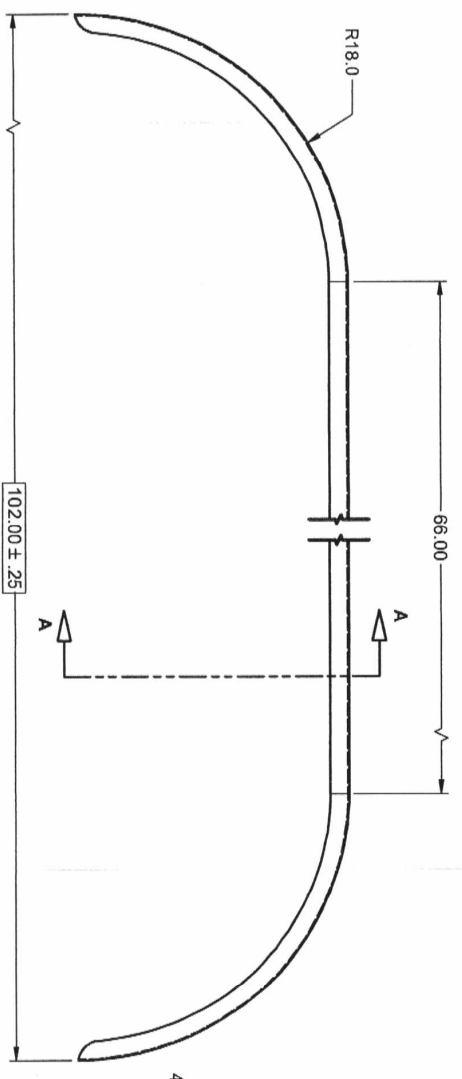
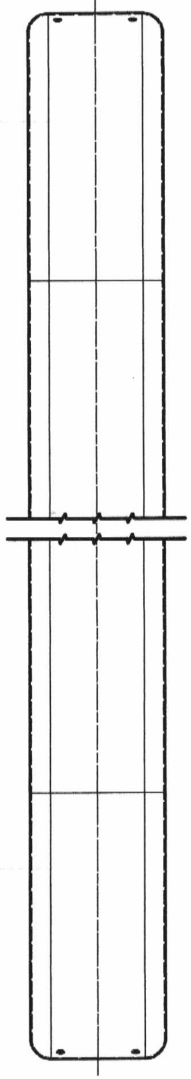


REVISION HISTORY				DETAIL
REV	DATE	BY	EFFECTV.	
1	8/15/2009	KFV	R&D	CUSTOMER REQUEST - 2.00 (1.75), 5.00 (4.00), 2.66 (2.91), 7.66 (6.91)



- NOTE:
1. ALL DIMENSIONS ARE IN INCHES.
 2. BOXED DIMENSIONS INDICATE OPERATOR Q.C. CHECK.
 3. MATERIAL IS ALUMINUM TREADBRITE - .100 x 10.32 x 122.35 L.
 4. PART TO BE FREE OF BLEMISHES, BURRS & SHARP EDGES.

Drawn:	5/8/2009	Unspecified	
Checked:		Tolerances:	
Design:		Decimal ± 0.1	
Approved:		Decimal ± .03	
		Angle ± 10'	
		Holes ± .008	
Part Name:	TENDER TRI-AXLE AL TREADBRITE 9.0 x 18.0 x 102 L.		
Material:	AL TREADBRITE .100 x 10.32 x 122.35 L.		
Form No.:	450000	Rev:	1
	354	Sh:	2 of 3