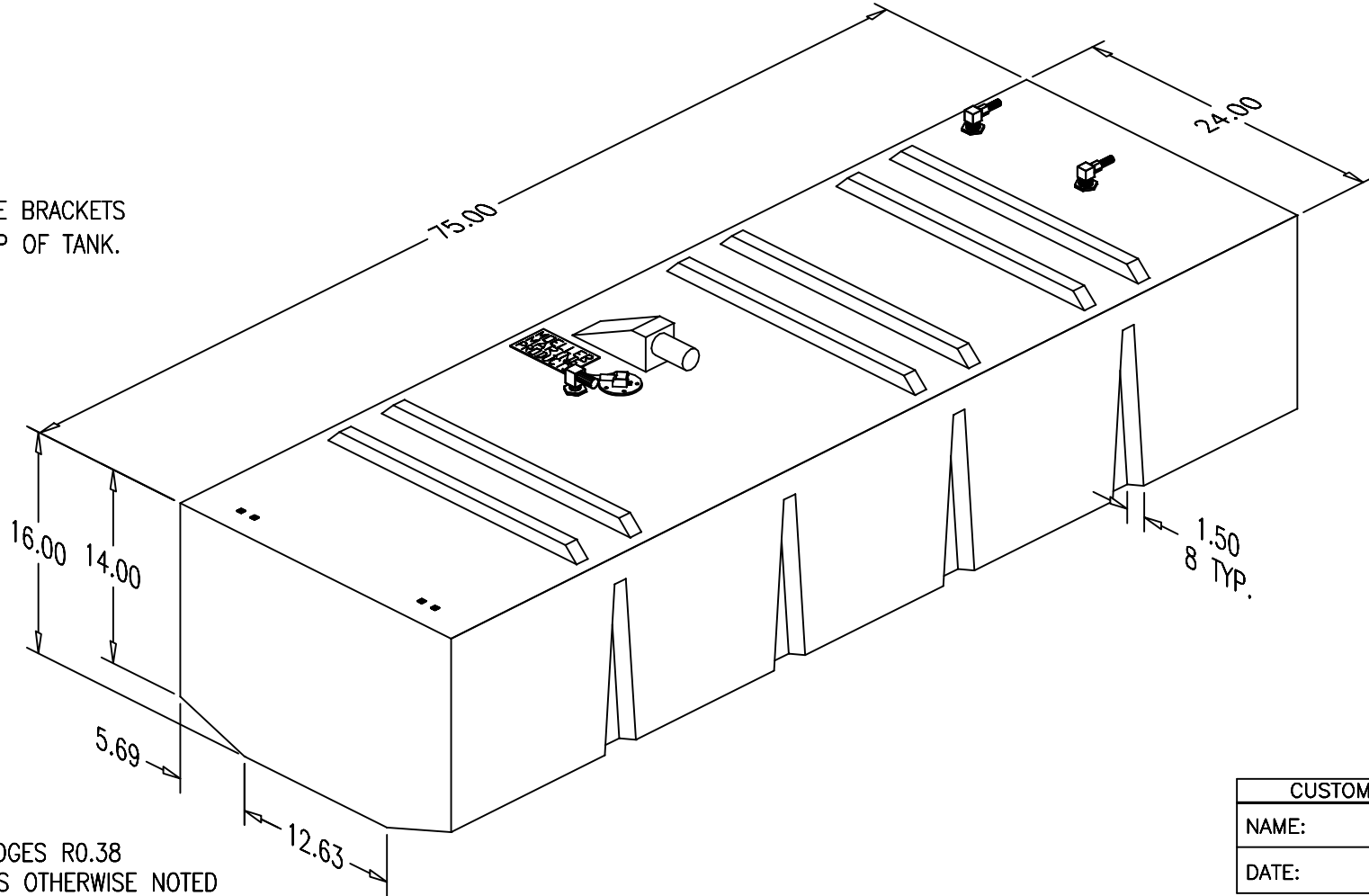


NO.	REVISION	DATE
1	REPLACE ROCHESTER WITH ROYCE SENDER	1/11/05
2	ADD RETURN W/ 15.25 TUBE	3/9/09
	REPLACE ROYCE WITH EURO WEMA	3/23/09
3	REPLACE EURO WEMA W/ REED STYLE SENDING UNIT - JRW	5/25/12

NOTE: ZIP TIE BRACKETS
TO TOP OF TANK.

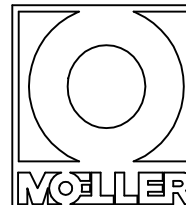


NOTE: ALL EDGES R0.38
UNLESS OTHERWISE NOTED

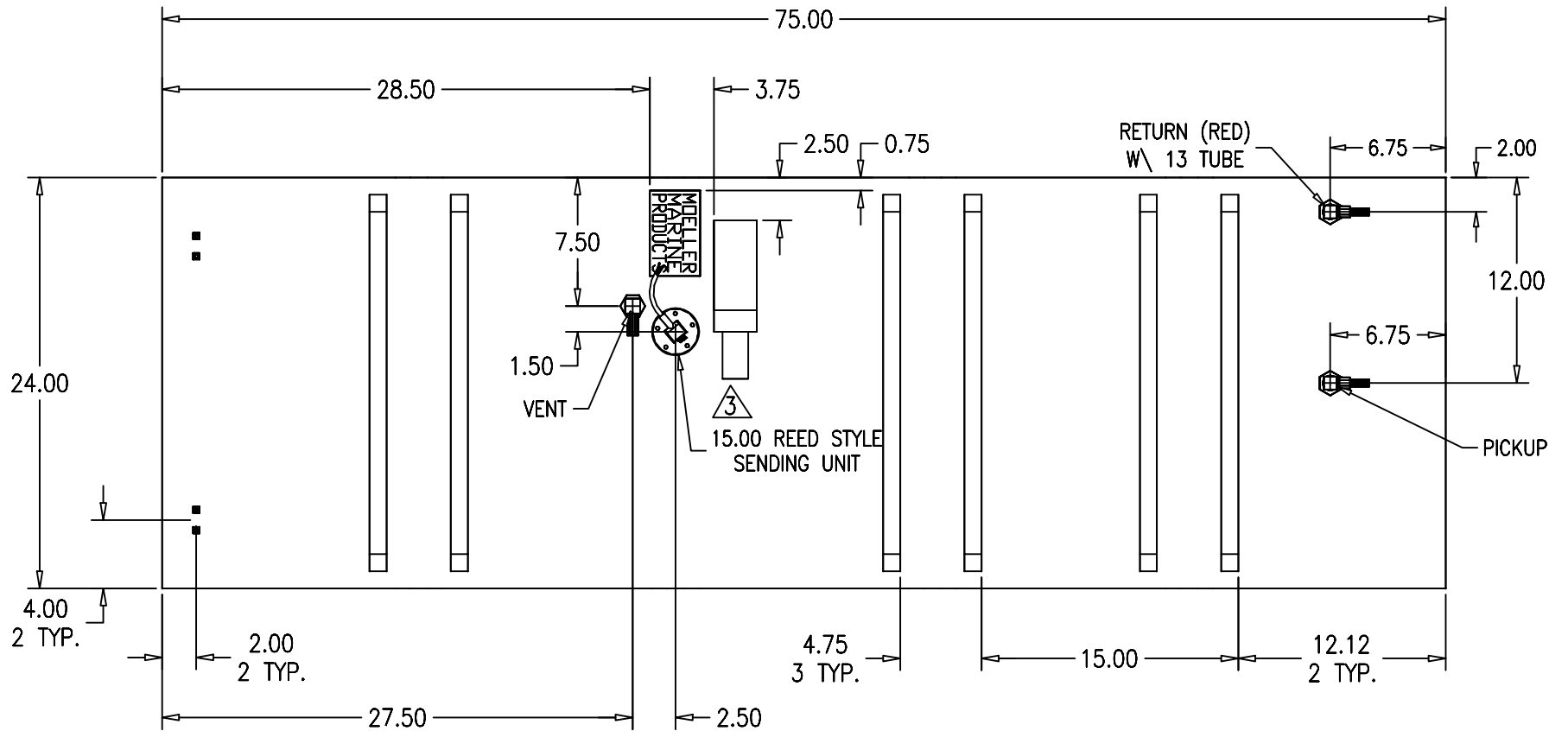
CUSTOMER APPROVAL	
NAME:	
DATE:	

PAGE 1 OF 3

THIS DRAWING AND THE ATTACHED DRAWINGS (AND THE DATA SHOWN THEREON) IS CONFIDENTIAL AND PROPRIETARY AND SHALL NOT BE USED, DISCLOSED TO OTHERS, REPRODUCED FOR ANY PURPOSE EXCEPT FOR QUOTATION TO OR ORDER BY MOELLER MARINE PRODUCTS, INC. AND/OR IT'S SUBSIDIARIES WITHOUT THEIR WRITTEN CONSENT TO THE USE OF SUCH DRAWINGS AND/OR DATA.

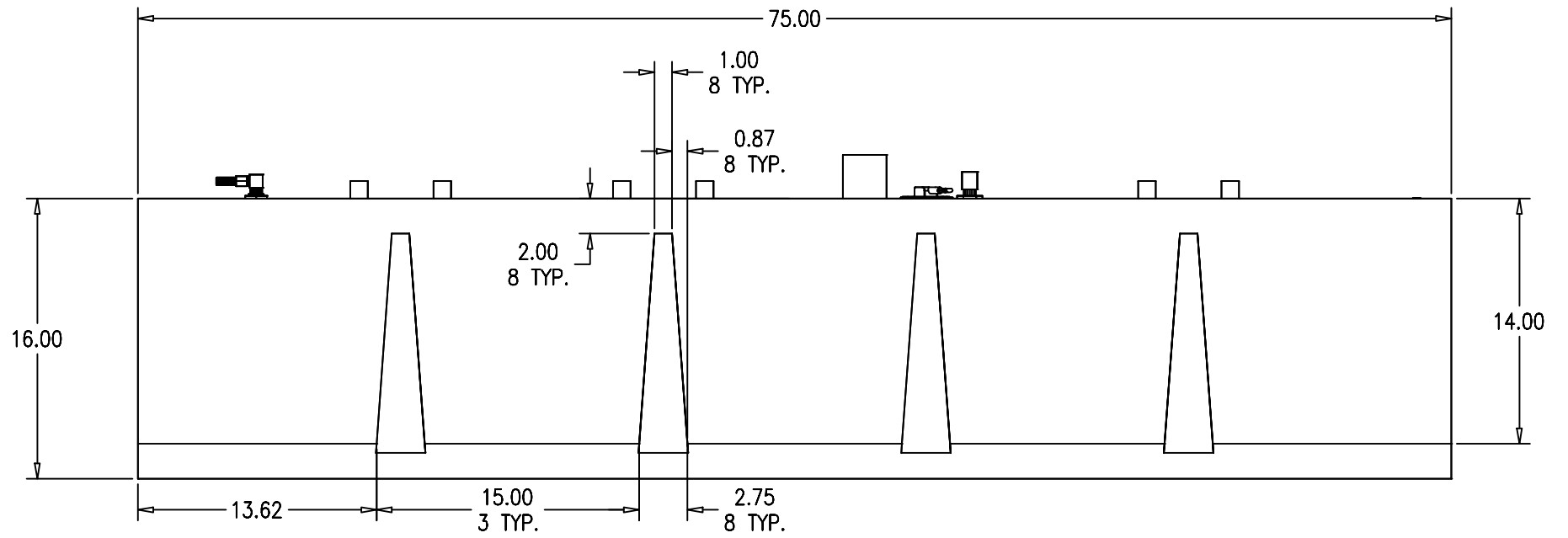


DESCRIPTION	111 GALLON FUEL TANK		
PART #	FT11101	COLOR	NATURAL
MATERIAL	CROSSLINK POLYETHYLENE		
TOLERANCES	±1.5% UNLESS OTHERWISE NOTED		
WALL THK.	0.265" NOMINAL	DATE	3/9/09
DRAWN BY	MOELLER ENGINEERING		



NOTE: FILL DOGHOUSE IS 6.50 LONG, 2.50 WIDE, 2.50 TALL, & HAS A 1.25 TOP FLAT.
 RIBS ARE 1.00 TALL, 1.00 WIDE, 1.00 FROM EDGES, & ARE BEVELED 45.00° AT ENDS.

TOP VIEW



BACK VIEW