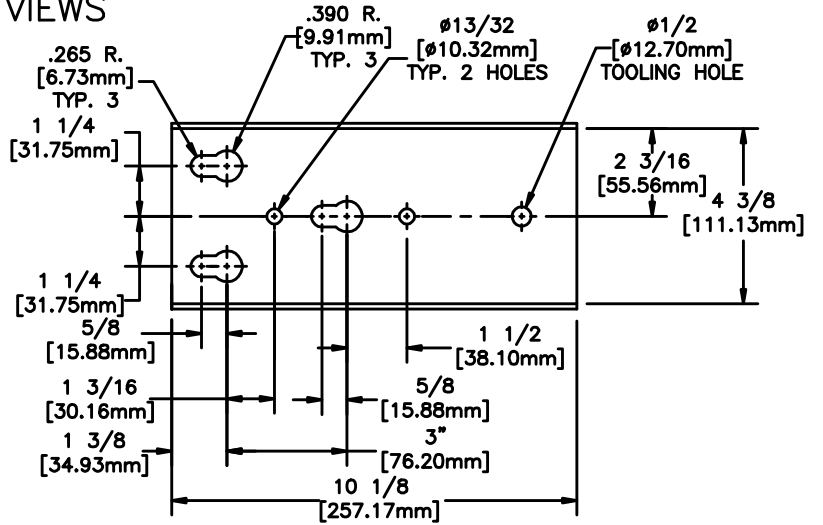
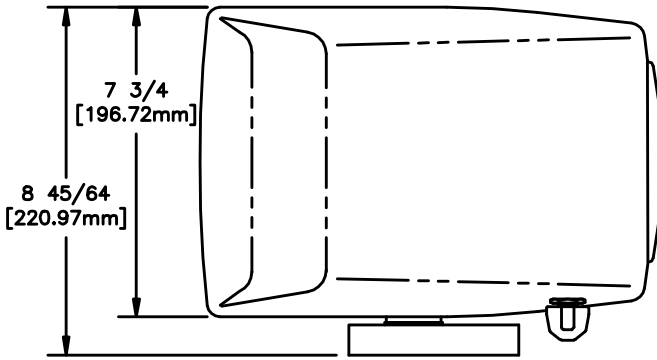


MODEL TW9000
 TW9000 DC
 3000lb/1362kg CAPACITY
 StrongArm ELECTRIC WINCH

FRONT, TOP & SIDE VIEWS



BASE HOLE PATTERN

