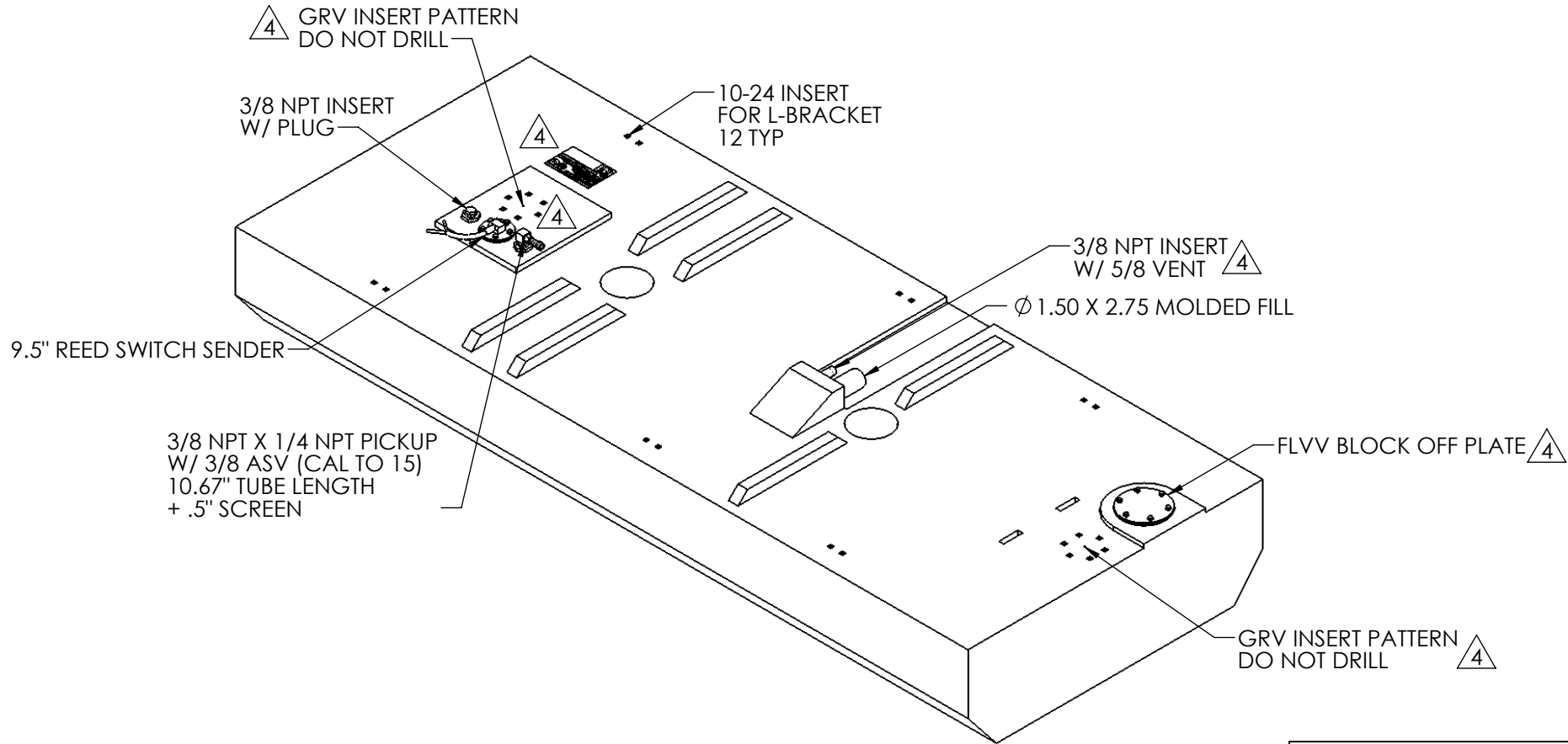


FUEL TANK INSTALLATION MUST ALLOW 3% GROWTH IN ALL DIRECTIONS. ANY DESIGNS NOT COMPLIANT WITH ABYC STANDARDS OR ARE CONSIDERED "GREY AREA" UNDER THESE STANDARDS WILL BE NOTED HERE IN. THIS PRINT AND ANY ATTACHED ARE PREPARED FOR CUSTOMER APPROVAL, PERFORMING THIS ACTION RELIEVES MOELLER MARINE PRODUCTS OF LIABILITY ASSOCIATED WITH TANK DESIGN.

NO.	REVISION	DATE	DRAFTER
1	REPLACE WEMA WITH SS WEMA	2/10/03	
2	REPLACE BARB W/ ASV, ADD ZIP TIE	8/20/04	
3	REPLACED LABEL W/ NEW LABEL, ADDED BLOCK OFF PLATE	9/27/11	AMC
4	ADD ATTWOOD INSERT PATTERNS AND BLOCK-OFF PLATE; MOVE FITTINGS AND LABEL; REPLACE MOLDED VENT W/ ALUMINUM	11/30/12	LGB

**\*\* ZIP-TIE BRACKETS TO TOP OF TANK \*\***



PAGE 1 OF 3

© 2012 MOELLER MARINE PRODUCTS ALL RIGHT RESERVED

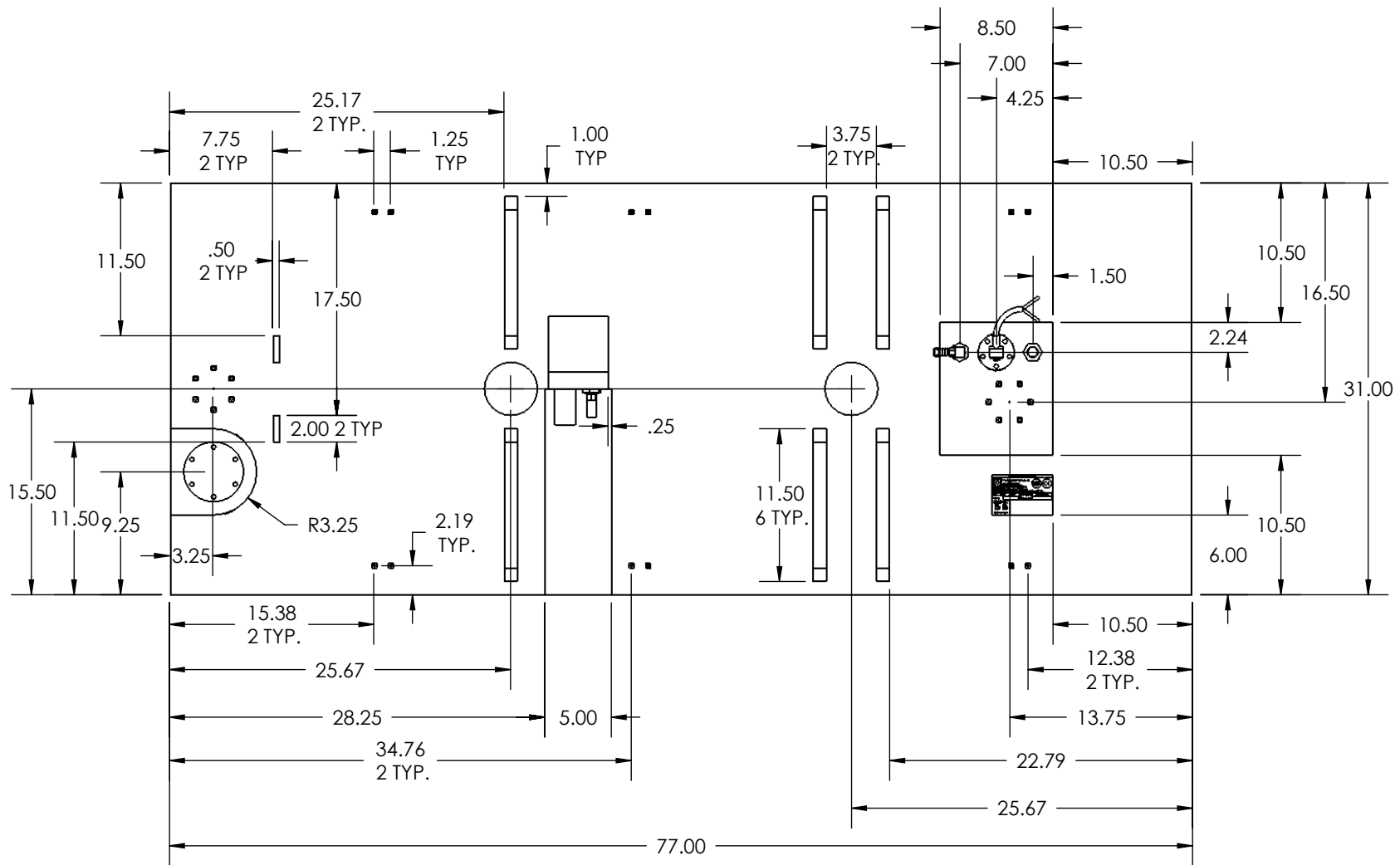
NOTE: ALL EDGES R0.38  
UNLESS OTHERWISE NOTED  
330 SHOT BLAST SURFACE TEXTURE  
1" DRAFT ON ALL EXTERIOR SURFACES AS NEEDED

THIS DRAWING AND THE ATTACHED DRAWINGS (AND THE DATA SHOWN THERON) IS CONFIDENTIAL AND PROPRIETARY AND SHALL NOT BE USED, DISCLOSED TO OTHERS, REPRODUCED FOR ANY PURPOSE EXCEPT FOR QUOTATION TO OR ORDER BY MOELLER MARINE PRODUCTS, INC. AND/OR IT'S SUBSIDIARIES WITHOUT THEIR WRITTEN CONSENT TO THE USE OF SUCH DRAWINGS AND/OR DATA.

EASTERN PART # TBD

CUSTOMER APPROVAL	
NAME:	
DATE:	

	DESCRIPTION	≤90 GALLON FUEL TANK (341L)		
	PART #	FT9002 (032690)	COLOR	NATURAL
	MATERIAL	CROSSLINK POLYETHYLENE		
	TOLERANCES	±1.5 % UNLESS OTHERWISE NOTED		
	WALL THK.	0.250" NOMINAL	DATE	11/30/12
	DRAWN BY	LGB		



NOTE: CONES ARE  $\phi$  4.00 AT TOP AND  $\phi$  5.00 AT BOTTOM  
 DOGHOUSE IS 4.50" WIDE X 5.45" LONG X 2.00" HIGH  
 RIBS ARE 1.00" WIDE X 1.00" TALL AND BEVELED 45° AT ENDS

