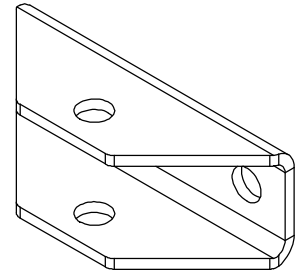
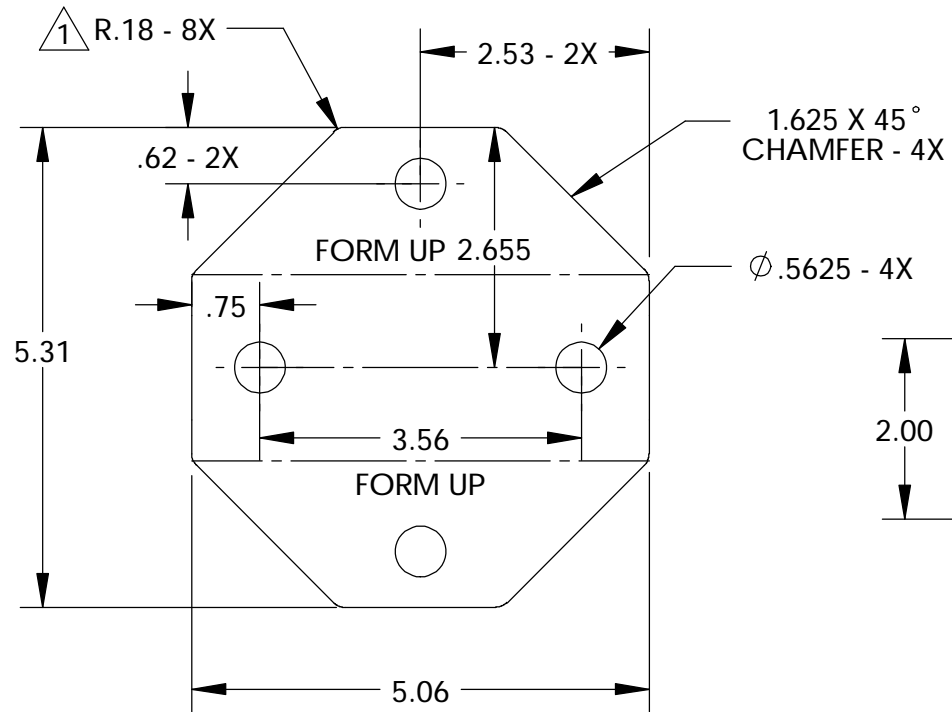
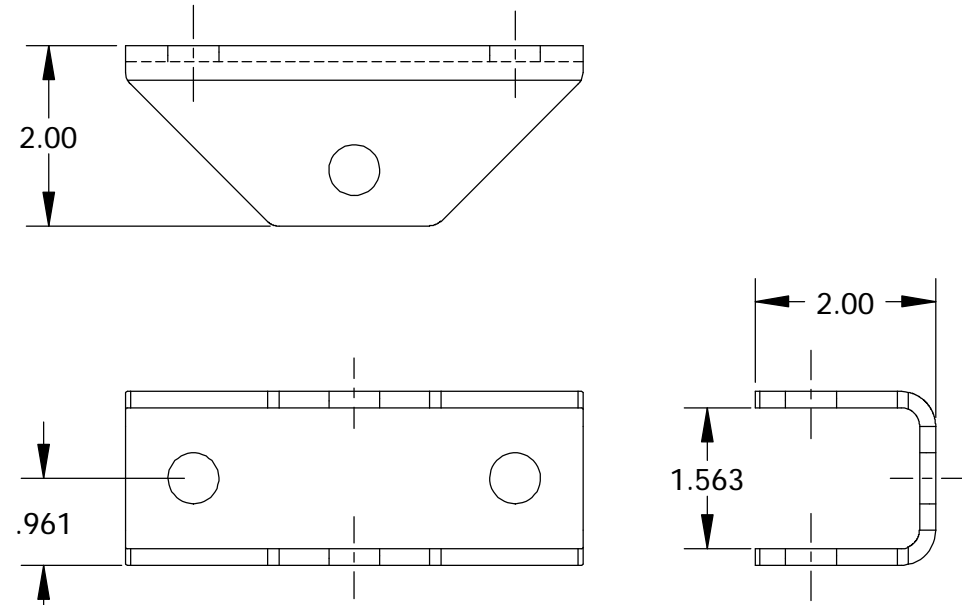


# FLAT VIEW



# FORMED VIEWS



## NOTES:

$\triangle 1$  RADIUS OR SQUARE CORNER ACCEPTABLE

ALL DIMENSIONS ARE IN INCHES  
UNLESS OTHERWISE STATED  
TOLERANCES EXCEPT AS NOTED  
DECIMALS:  
.X  $\pm 0.100$   
.XX  $\pm 0.060$   
.XXX  $\pm 0.030$   
.XXXX  $\pm 0.010$   
ANGLES:  
 $\pm 1^\circ$   
ALL FORMED ANGLES  
EQUAL 90° UNLESS  
NOTED OTHERWISE  
( ) INDICATES REFERENCE

THE INFORMATION IN THIS DRAWING IS THE SOLE  
PROPERTY OF KARAVAN TRAILERS, INC. ANY  
REPRODUCTION IN PART OR WHOLE WITHOUT  
THE WRITTEN PERMISSION OF KARAVAN TRAILERS,  
INC. IS PROHIBITED.  
APPROVED BY:  
CRICHTER  
DRAWN BY:  
Amy L. Thomas  
DATE:  
12-03-99  
SHEET:  
1 OF 1  
SCALE:  
N/A

# KARAVAN

TRAILERS

TITLE:  
BUNK BRACKET  
(2.00" PIVOT)  
MAT'L:  
7GA H.R.P.O. SHEET  
FINISH:  
-Z  
DWG. #:  
100-01297

| DWG. REV. | ECR/NDR NUMBER | REVISED BY | DATE     | DESCRIPTION  |
|-----------|----------------|------------|----------|--|
| B/1       | 14150          | KDB        | 07-16-07 | ADDED CORNER NOTE                                  |
| B         | 12073          | DWG        | 10-16-01 | 5.31 WAS 5.42, .961 WAS 1.023, AND 1.563 WAS 1.688 |

### First Piece - In Process Inspection Sheet

Vendor \_\_\_\_\_

Description: **Bunk Bracket**

Part # **100-01297**

Rev. **B/1**

QA Approval: Doug Dray

JOB# \_\_\_\_\_

| Characteristic                                   | Tol.      | Method     | Freq.       | 1st Piece | A/R | 2 | A/R | 3 | A/R | 4 | A/R | 5 | A/R | 6 | A/R | 7 | A/R | Inspected By/Date: |     |
|--|-----------|------------|-------------|-----------|-----|---|-----|---|-----|---|-----|---|-----|---|-----|---|-----|--------------------|-----|
| <b>PUNCH</b>                                     |           |            |             |           |     |   |     |   |     |   |     |   |     |   |     |   |     |                    |     |
| 7 GA.  | .171-.187 | Mic        | 1:100       |           |     |   |     |   |     |   |     |   |     |   |     |   |     |                    | 1 / |
| H.R.P.O  | NA        | Visual     | -           |           |     |   |     |   |     |   |     |   |     |   |     |   |     |                    | 2 / |
| 5.31   | ±.060     | Caliper    | 1:100       |           |     |   |     |   |     |   |     |   |     |   |     |   |     |                    | 3 / |
| 5.06   | ±.060     | Csliper    | 1:100       |           |     |   |     |   |     |   |     |   |     |   |     |   |     |                    | 4 / |
| Ø.5625 - 4X                                      | ±.010     | Caliper    | 1:100       |           |     |   |     |   |     |   |     |   |     |   |     |   |     |                    | 5 / |
| 2.53 - 2X  | ±.060     | Csliper    | 1:100       |           |     |   |     |   |     |   |     |   |     |   |     |   |     |                    | 6 / |
| .62 - 2X   | ±.060     | Csliper    | 1:100       |           |     |   |     |   |     |   |     |   |     |   |     |   |     |                    | 7 / |
| .75  | ±.030     | Csliper    | 1:100       |           |     |   |     |   |     |   |     |   |     |   |     |   |     |                    |     |
| 3.56   | ±.060     | Csliper    | 1:100       |           |     |   |     |   |     |   |     |   |     |   |     |   |     |                    |     |
| 1.625 X 45° Chamfer - 4X                         | ±1°       | Protractor | 1:100       |           |     |   |     |   |     |   |     |   |     |   |     |   |     |                    |     |
| R.18 - 8X  | ±.030     | Caliper    | 1:100       |           |     |   |     |   |     |   |     |   |     |   |     |   |     |                    |     |
| <b>FORM</b>                                      |           |            |             |           |     |   |     |   |     |   |     |   |     |   |     |   |     |                    |     |
| 90°  | ±1°       | Protractor | 1:100       |           |     |   |     |   |     |   |     |   |     |   |     |   |     |                    |     |
| 2.00   | ±.060     | Caliper    | 1:100       |           |     |   |     |   |     |   |     |   |     |   |     |   |     |                    |     |
| .961   | ±.030     | Caliper    | 1:100       |           |     |   |     |   |     |   |     |   |     |   |     |   |     |                    |     |
| 1.563  | ±.030     | Caliper    | 1:100       |           |     |   |     |   |     |   |     |   |     |   |     |   |     |                    |     |
| Inspect parts for scratches, dents, gouges, etc. | NA        | Visual     | Every piece |           |     |   |     |   |     |   |     |   |     |   |     |   |     |                    |     |