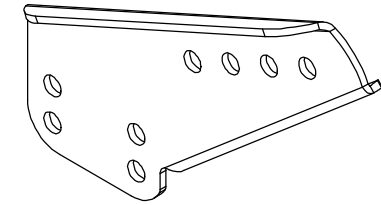
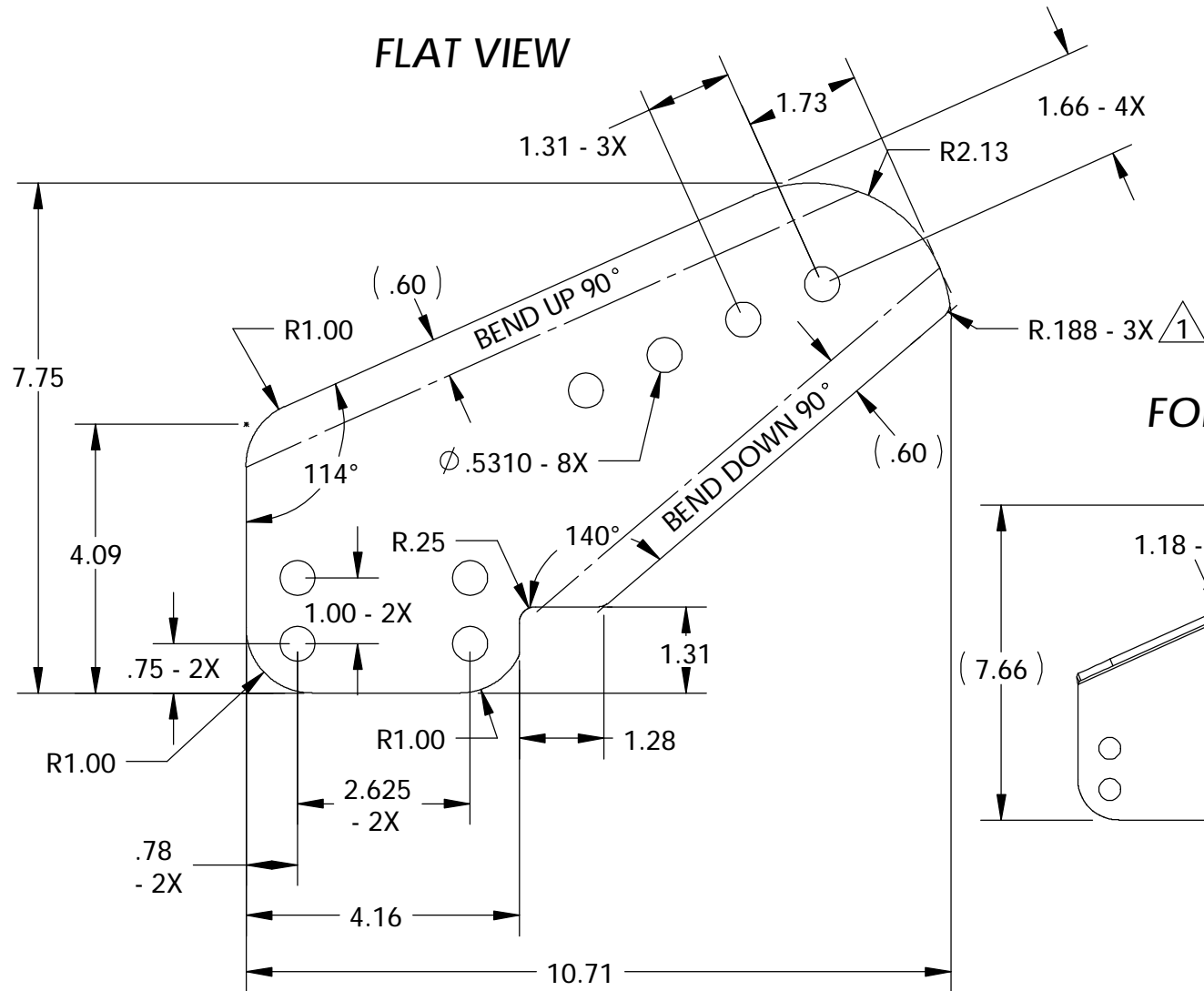
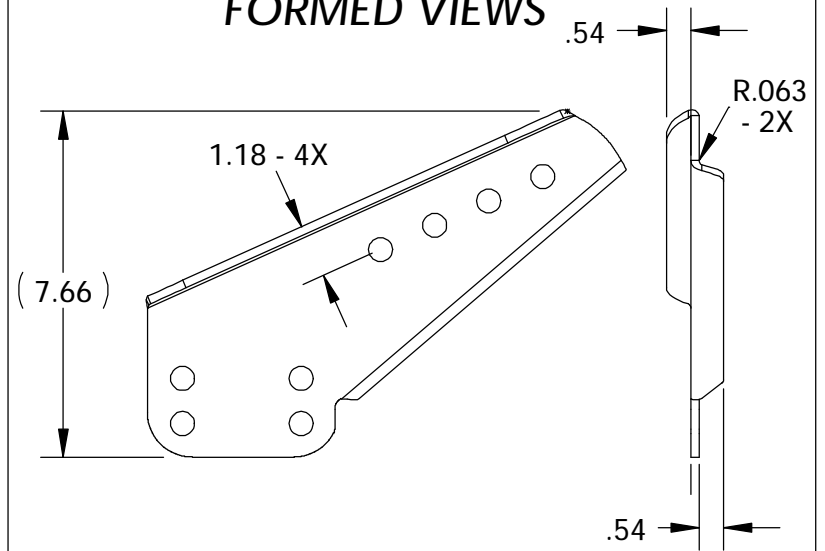


FLAT VIEW



FORMED VIEWS



NOTES:

1 RADIUS OR SQUARE CORNER ACCEPTABLE

ALL DIMENSIONS ARE IN INCHES UNLESS OTHERWISE STATED TOLERANCES EXCEPT AS NOTED DECIMALS:
 .X ±0.100
 .XX ±0.060
 .XXX ±0.030
 .XXXX ±0.010
 ANGLES:
 ±1°
 ALL FORMED ANGLES EQUAL 90° UNLESS NOTED OTHERWISE
 () INDICATES REFERENCE

THE INFORMATION IN THIS DRAWING IS THE SOLE PROPERTY OF KARAVAN TRAILERS, INC. ANY REPRODUCTION IN PART OR WHOLE WITHOUT THE WRITTEN PERMISSION OF KARAVAN TRAILERS, INC. IS PROHIBITED.
 APPROVED BY: ---
 DRAWN BY: C-RICHTER
 DATE: 02-21-02
 SHEET: 1 OF 1
 SCALE: N/A

KARAVAN

TRAILERS
 TITLE: BUNK BRACKET L.H.
 MAT'L: 7 GA. H.R.P.O. SHEET
 FINISH: -ZN, -BL, -WH
 DWG. #: 100-01845

DWG. REV.	ECR/NDR NUMBER	REVISED BY	DATE	DESCRIPTION
B/1	14150	KDB	07-17-07	ADDED CORNER NOTE, FILLETED CORNERS
B	12991	CR	2-18-05	7 GA. WAS 10 GA. -.54 WAS .58-1.18 WAS 1.12-(.60) WAS (.63) ADDED R.063 - 2X-ADDED DIE PB-188 TO NOTES

First Piece - In Process Inspection Sheet

Vendor _____

Description: **Bunk Bracket**

Part # **100-01845**

Rev. **B/1**

QA Approval: K. Hopf

JOB# _____

Characteristic	Tol.	Method	Freq.	1st Piece	A/R	2	A/R	3	A/R	4	A/R	5	A/R	6	A/R	7	A/R	Inspected By/Date:	
LASER																			1 /
7 G A	.171 - .187	Mic	1st/Last Piece																2 /
H.R.P.O.	NA	Visual	1st/Last Piece																3 /
7.75	± .060	Caliper	1st/Last Piece																4 /
10.71	± .060	Caliper	1st/Last Piece																5 /
FORM																			6 /
1.18 - 4X	± .060	Caliper	1:50																7 /
.54 - 2X	± .060	Caliper	1:50																
R.063 - 2X	NA	Radius Gauge	1st/Last Piece																
Inspect parts for scratches, dents, gouges, etc.	NA	Visual	Every piece																
No slugs left in lasered holes.	NA	Visual	Every piece																