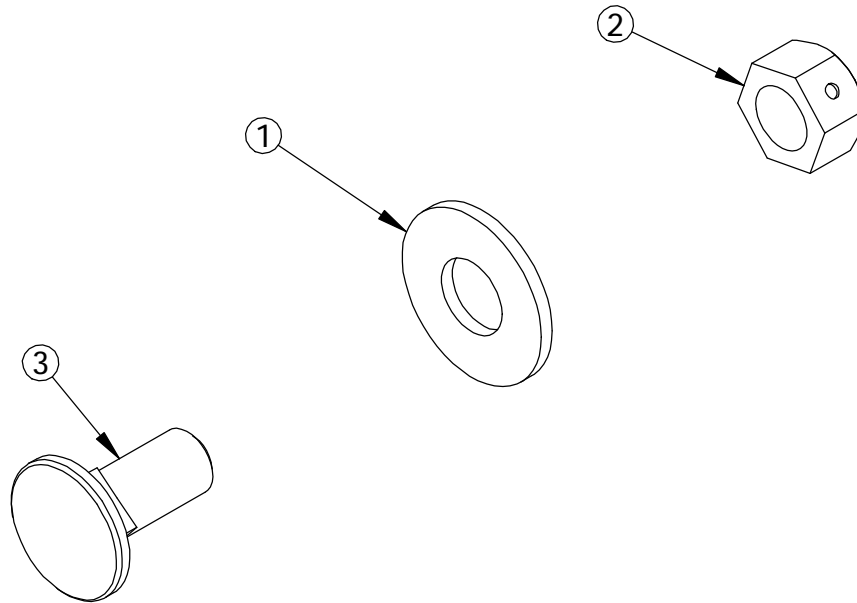


ITEM NO.	PART NUMBER	DESCRIPTION	QTY.
1	210-00025	.375" FLAT WASHER	4
2	210-00076	.375"-16 CENTERLOCK HEX NUT	4
3	210-00132	.375"-16 X .875" CARRIAGE BOLT	4
4	231-00057	PLASTIC BAG (NOT SHOWN)	1



ALL DIMENSIONS ARE IN INCHES
UNLESS OTHERWISE STATED
TOLERANCES EXCEPT AS NOTED

DECIMALS:

.X ±0.100
.XX ±0.060
.XXX ±0.030
.XXXX ±0.010

ANGLES:
±1°

ALL FORMED ANGLES
EQUAL 90° UNLESS
NOTED OTHERWISE

() INDICATES REFERENCE

THE INFORMATION IN THIS DRAWING IS THE SOLE
PROPERTY OF KARAVAN TRAILERS, INC. ANY
REPRODUCTION IN PART OR WHOLE WITHOUT
THE WRITTEN PERMISSION OF KARAVAN TRAILERS,
INC. IS PROHIBITED.

APPROVED BY:

DRAWN BY:

JUSTIN SCHMIDT

DATE:

11/11/2003

SHEET:

1 OF 1

SCALE:

N/A

KARAVAN
TRAILERS

TITLE:

FENDER MOUNTING KIT

MAT'L:

SEE B.O.M.

FINISH:

N/A

DWG. #:

320-01316-B

B	-----	PCS	06-24-13	CHANGED HARDWARE QTY TO 4 EA INSTEAD OF 8
A	12581	JDS	11-11-03	DRAWING CREATED
DWG. REV.	ECR/NDR NUMBER	REVISED BY	DATE	DESCRIPTION