

TRITON Customer Instruction Sheet 08519

DESCRIPTION
SPARE TIRE CARRIER

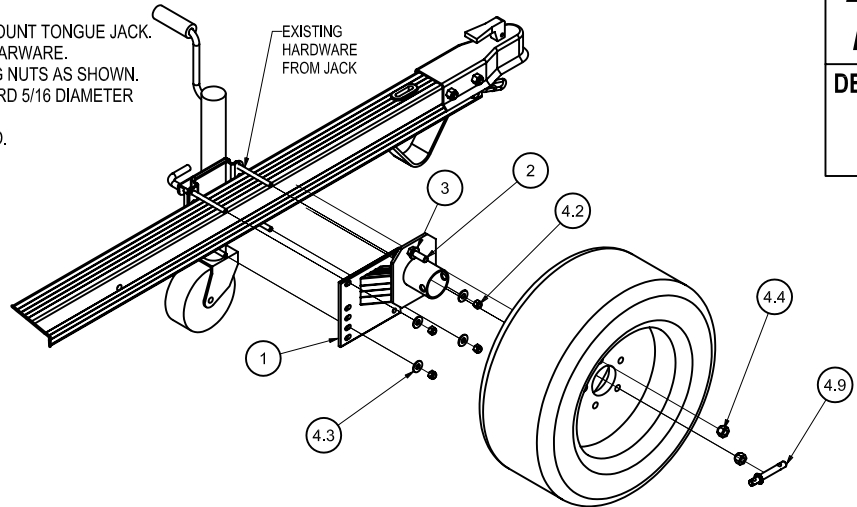
REV 2

DATE
10-22-10
DRAWN BY
Terri Feutz

DRAWING NO.
08526

TONGUE MOUNT OPTION

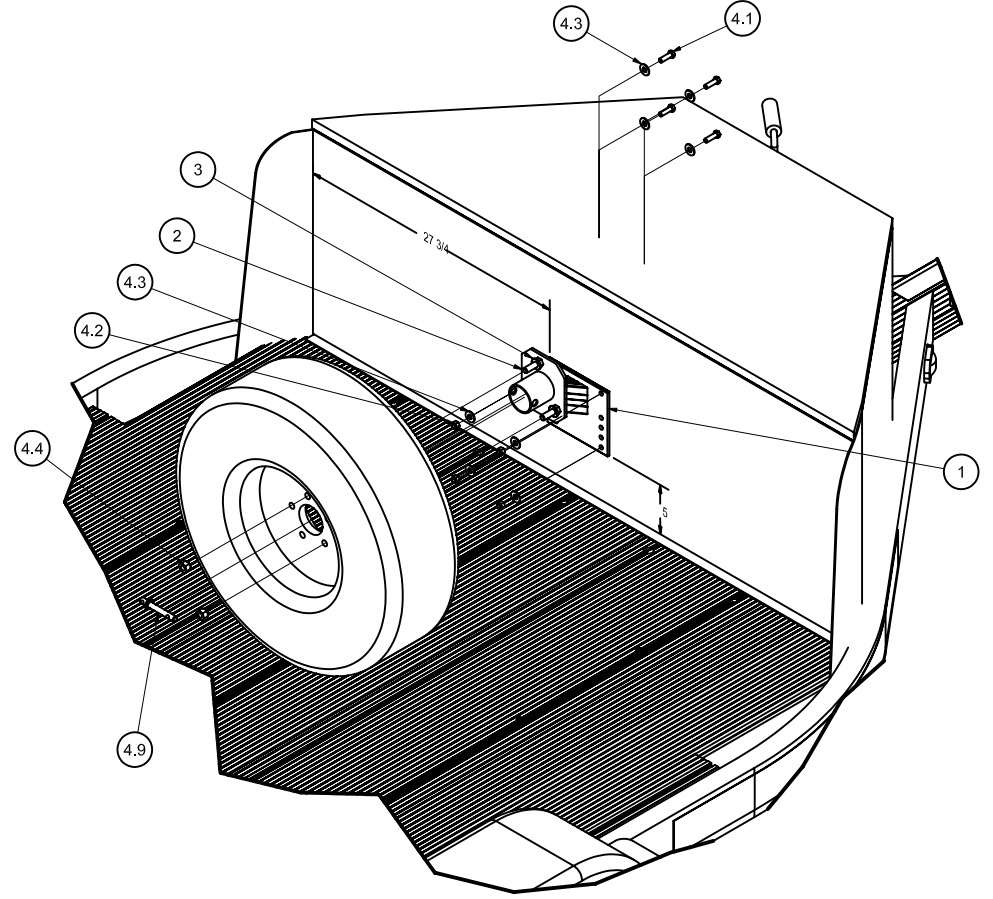
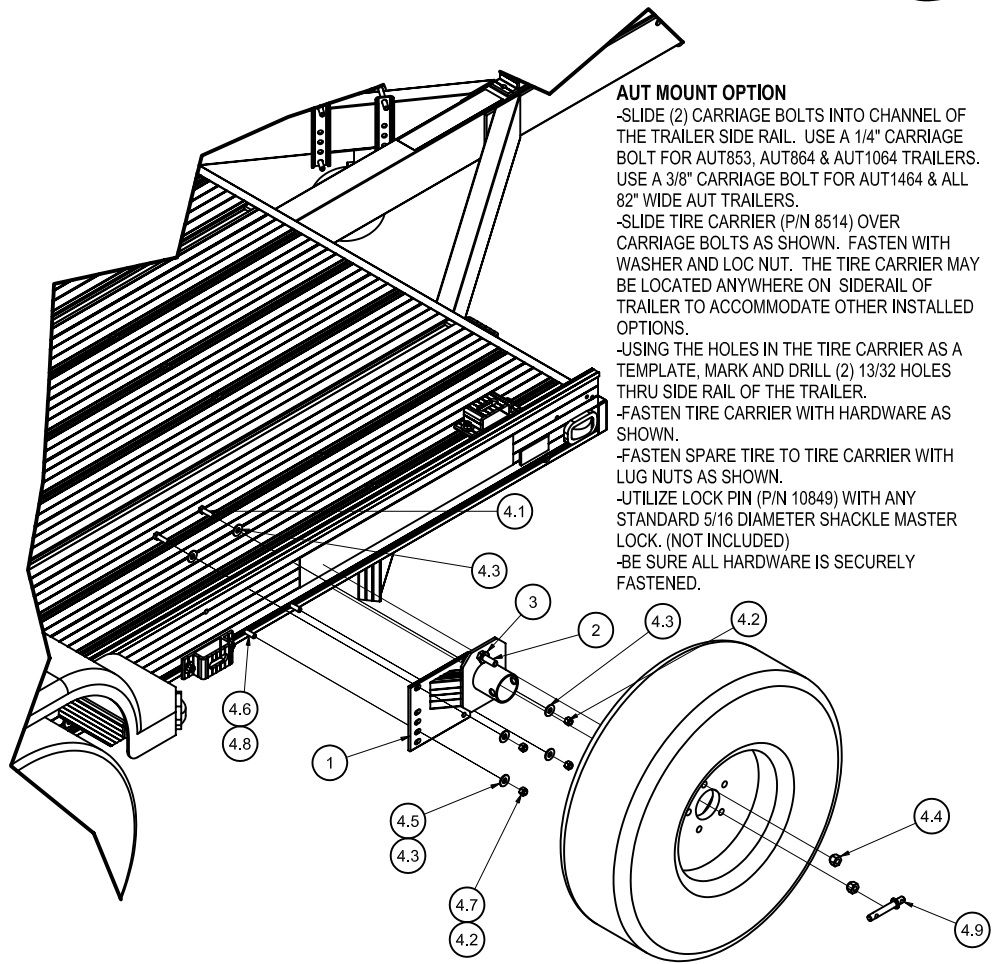
- REMOVE AND RESERVE HARDWARE USED TO MOUNT TONGUE JACK.
- MOUNT TIRE CARRIER (P/N 08514) USING JACK HARWARE.
- FASTEN SPARE TIRE TO TIRE CARRIER WITH LUG NUTS AS SHOWN.
- UTILIZE LOCK PIN (P/N 10849) WITH ANY STANDARD 5/16 DIAMETER SHACKLE MASTER LOCK. (NOT INCLUDED)
- BE SURE ALL HARWARE IS SECURELY FASTENED.



Parts List			
ITEM	PART NUMBER	DESCRIPTION	QTY
1	08514	WELDMENT, SPARE TIRE CARRIER	1
2	08520	BOLT, 1/2-20 X 2 Z/Y	2
3	14677	NUT, FLANGE 1/2-20 Z/Y	2
4.1	00982	BOLT, 3/8-16 X 1 1/4 Z/Y	4
4.2	01153	NUT, HEX 3/8-16 LOC Z/Y	4
4.3	01290	WASHER, FLAT 3/8 Y/Z	8
4.4	02406	LUGNUT, 1/2-20	2
4.5	03418	WASHER, FLAT 1/4 Y/Z	2
4.6	03454	BOLT, CARRIAGE 1/4-20 X 3/4 Z/Y	2
4.7	03671	NUT, HEX 1/4-20 LOC Z/Y	2
4.8	03702	BOLT, CARRIAGE 3/8-16 X 1 1/4 Z/Y	2
4.9	10849	PIN, LOCK	1

AUT MOUNT OPTION

- SLIDE (2) CARRIAGE BOLTS INTO CHANNEL OF THE TRAILER SIDE RAIL. USE A 1/4" CARRIAGE BOLT FOR AUT853, AUT864 & AUT1064 TRAILERS. USE A 3/8" CARRIAGE BOLT FOR AUT1464 & ALL 82" WIDE AUT TRAILERS.
- SLIDE TIRE CARRIER (P/N 8514) OVER CARRIAGE BOLTS AS SHOWN. FASTEN WITH WASHER AND LOC NUT. THE TIRE CARRIER MAY BE LOCATED ANYWHERE ON SIDERAIL OF TRAILER TO ACCOMMODATE OTHER INSTALLED OPTIONS.
- USING THE HOLES IN THE TIRE CARRIER AS A TEMPLATE, MARK AND DRILL (2) 13/32 HOLES THRU SIDE RAIL OF THE TRAILER.
- FASTEN TIRE CARRIER WITH HARDWARE AS SHOWN.
- FASTEN SPARE TIRE TO TIRE CARRIER WITH LUG NUTS AS SHOWN.
- UTILIZE LOCK PIN (P/N 10849) WITH ANY STANDARD 5/16 DIAMETER SHACKLE MASTER LOCK. (NOT INCLUDED)
- BE SURE ALL HARDWARE IS SECURELY FASTENED.



MCTD MOUNT OPTION

- LOCATE TIRE CARRIER (P/N 8514) WITH DIMENSIONS AS SHOWN.
- USING THE HOLES IN THE TIRE CARRIER AS A TEMPLATE, MARK AND DRILL (4) 13/32 HOLES THRU BOX WALL.
- FASTEN TIRE CARRIER WITH HARDWARE AS SHOWN.
- FASTEN SPARE TIRE TO TIRE CARRIER WITH LUG NUTS AS SHOWN.
- UTILIZE LOCK PIN (P/N 10849) WITH ANY STANDARD 5/16 DIAMETER SHACKLE MASTER LOCK. (NOT INCLUDED)
- BE SURE ALL HARDWARE IS SECURELY FASTENED.