

SECURE TIE DOWN TO SIDE RAIL WITH
HARDWARE AS SHOWN

TO PREVENT LOAD DAMAGE, BE SURE THAT
TIE DOWN HARDWARE IS TIGHT PRIOR TO
TOWING TRAILER.

TRITON Customer Instruction Sheet

KIT NO.:
08660

DESCRIPTION

REV 0

DRAWN BY:

TF

DRAWING NO.:

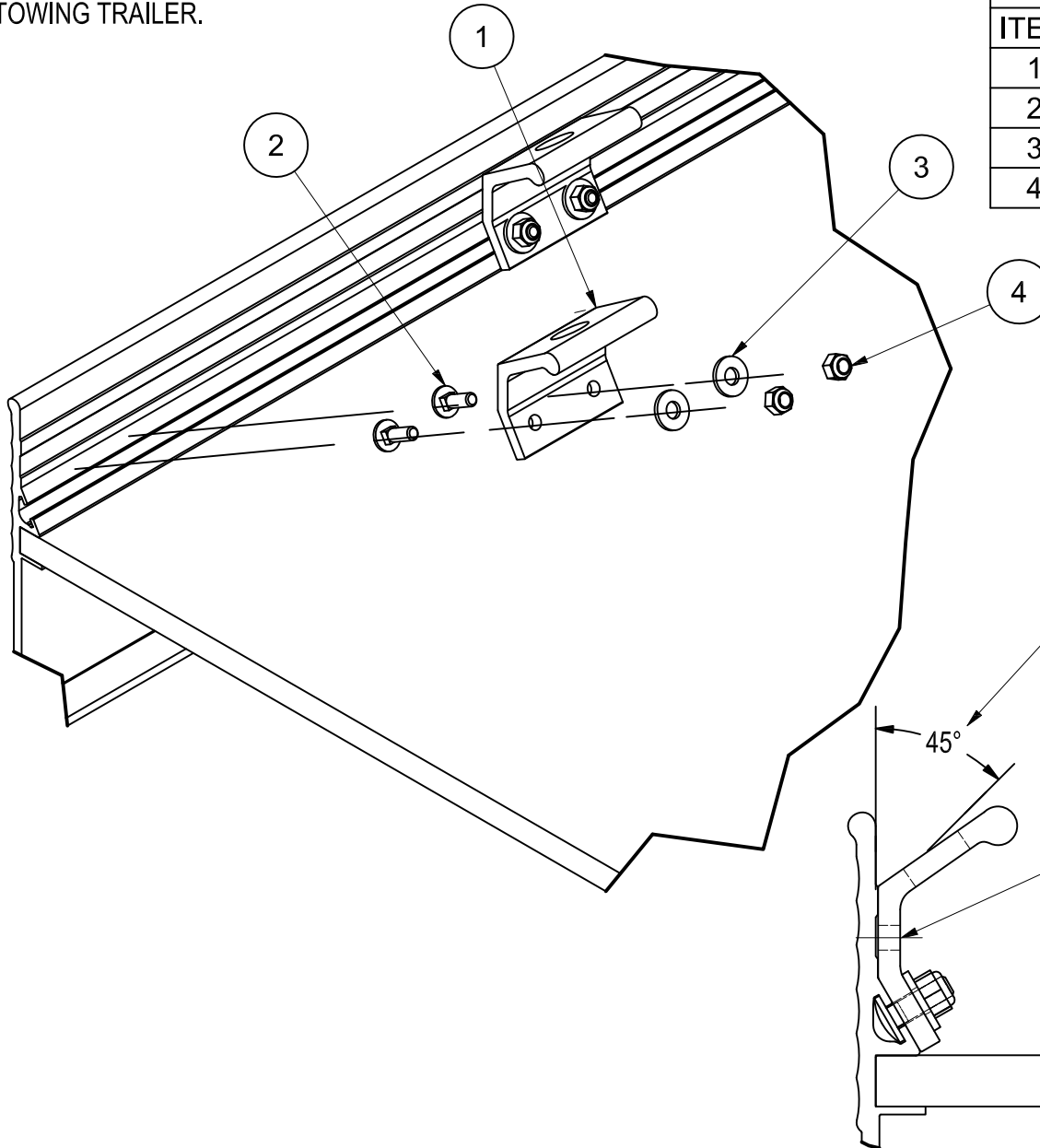
TIE DOWN ATV (2 PCS.)

DATE:
7-6-06

12392

Parts List

ITEM	PART N	DESCRIPTION	QTY
1	08539	TIE DOWN, ATV	2
2	03454	BOLT, CARRIAGE 1/4-20 X 3/4 Z/Y	4
3	03418	WASHER, FLAT 1/4 Y/Z	4
4	03671	NUT, HEX 1/4-20 LOC Z/Y	4



OPTIMUM TIE-DOWN ANGLE WORKING RANGE

45°

NOTE: IF CONTINUED HEAVY DUTY FLAT TIE DOWN USE IS
REQUIRED (OUTSIDE OF OPTIMUM WORKING RANGE), DRILL
ONE 9/32" HOLE HERE IN CENTER OF BRACKET AND THRU
TRAILER SIDE RAIL. INSTALL QUALITY 1/4" HARDWARE.