

TRITON Customer Instruction Sheet

KIT NO.:
07834
07835

DESCRIPTION

TIE DOWN MOUNT FLUSH & RECESSED

DRAWN BY:

TF

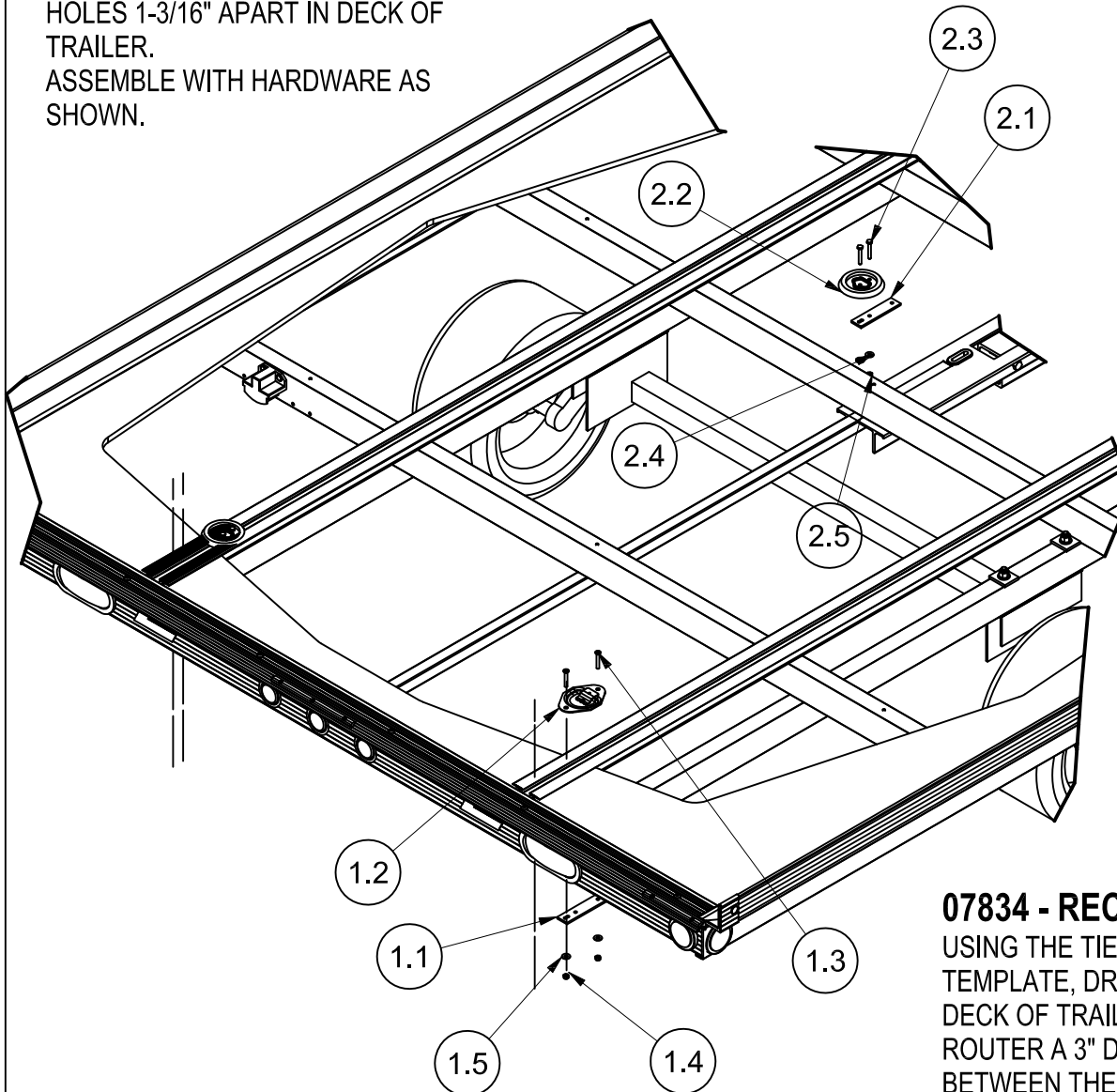
DATE:
7-6-06

DRAWING NO.:

07836

07835 - FLUSH MOUNT KIT

USING THE TIE DOWN STRAP (07833)
AS A TEMPLATE, DRILL TWO 9/32
HOLES 1-3/16" APART IN DECK OF
TRAILER.
ASSEMBLE WITH HARDWARE AS
SHOWN.



07834 - RECESSED MOUNT KIT

USING THE TIE DOWN STRAP (07833) AS A
TEMPLATE, DRILL TWO 9/32 HOLES 4" APART IN
DECK OF TRAILER.
ROUTER A 3" DIAMETER HOLE CENTERED
BETWEEN THE 9/32 HOLES.
ASSEMBLE WITH HARDWARE AS SHOWN.

Parts List

ITEM	PART N	DESCRIPTION	QTY
1	07834	KIT, TIE DOWN MOUNT RECESSED	1
1.1	07833	STRAP, TIE DOWN RING	2
1.2	07812	TIE DOWN, 1200 #	2
1.3	06112	SCREW, PHILLIPS 1/4-20 X 1 3/4 SS	4
1.4	03671	NUT, HEX 1/4-20 LOC Z/Y	4
1.5	03418	WASHER, FLAT 1/4 Y/Z	4
2	07835	KIT, TIE DOWN MOUNT FLUSH	1
2.1	07833	STRAP, TIE DOWN RING	2
2.2	07813	TIE DOWN, 1000# W/TRIM	2
2.3	09572	BOLT, 1/4-20 X 1 3/4 Z/Y	4
2.4	03418	WASHER, FLAT 1/4 Y/Z	4
2.5	03671	NUT, HEX 1/4-20 LOC Z/Y	4