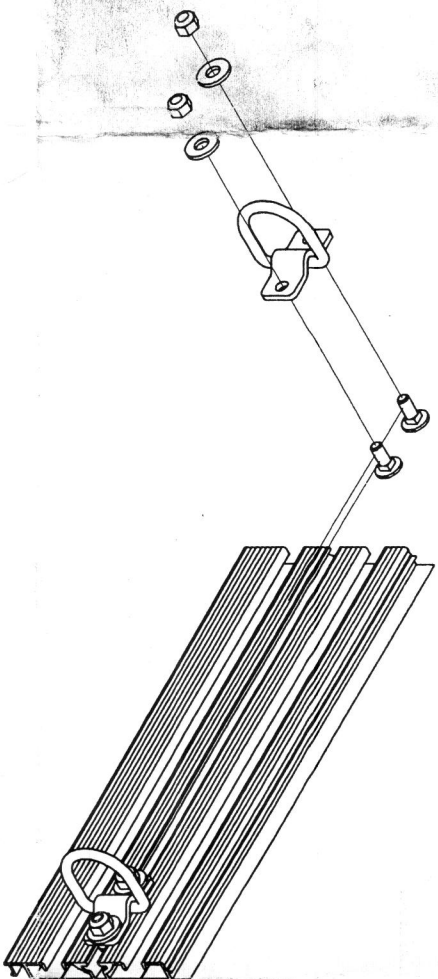


COMBO WALL INSTALL



TRITON Customer Instruction Sheet KIT NO.: 09529

DESCRIPTION	REV 0	DRAWN BY: TF	DRAWING NO.:
TIE DOWN KIT (4 PCS)	DATE: 12-7-2012		09531

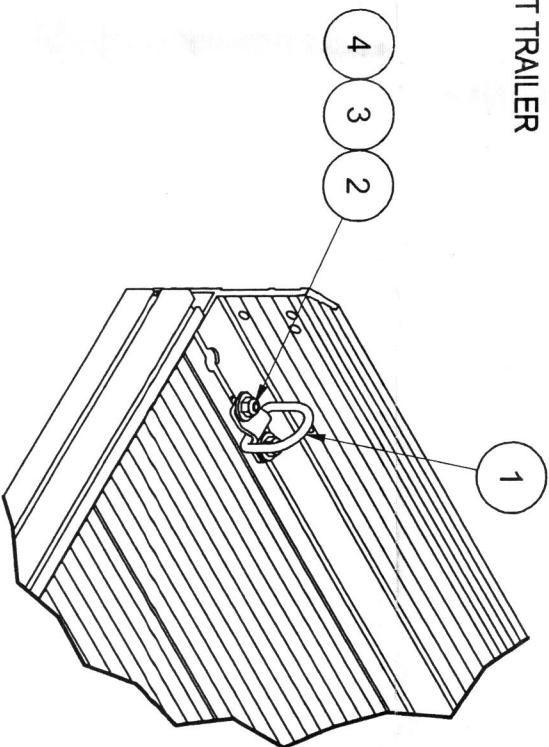
Parts List

ITEM	PART N	DESCRIPTION	QTY
1	04713	D-RING, TIE DOWN	4
2	09532	BOLT, CARRIAGE 1/4-20 X 5/8 Z/Y	8
3	03671	NUT, HEX 1/4-20 LOC Z/Y	8
4	03418	WASHER, FLAT 1/4 Y/2	8

INSTALL INSTRUCTIONS:

1. SLIDE CARRIAGE BOLTS (P/N 09532) IN TO SLOTS
2. SLIDE D-RING TIE DOWN (P/N 04713) OVER CARRIAGE BOLT.
3. PLACE FLAT WASHER (P/N 03418) OVER D RING TIE DOWN
4. SCREW ON 1/4-20 NUT (P/N 03671) TILL SNUG. USE WRENCH TO TIGHTEN.

AUT TRAILER



TIE DOWN CAN BE MOUNTED ON SIDERAILS, FLOOR PLANK SLOTS, AND FRONT CROSSMEMBER.