

PLEASE FOLLOW THE STEPS LISTED BELOW WHEN INSTALLING YOUR NEW STAKE POCKET KIT:

- 1) THE STAKE POCKETS IN THIS KIT MAY BE MOUNTED TO YOUR TRAILER AT ANY POSITION YOU CHOOSE.
- 2) WHEN DESIRED LOCATION OF POCKETS HAS BEEN ESTABLISHED AND CHECKED, SECURE THEM TO TRAILER WITH CLAMPS.
- 3) USING THE EXISTING HOLES IN EACH OF THE POCKETS AS A DRILL GUIDE, DRILL TWO 13/32" DIAMETER HOLES INTO THE TRAILER.
- 4) INSTALL APPROPRIATE HARDWARE AND TIGHTEN.
- 5) ADDITIONAL HARDWARE OF VARIOUS LENGTHS HAS BEEN ADDED TO THIS KIT. THESE LENGTHS WILL ACCOMODATE THE VARIOUS TRAILER WALL THICKNESSES THAT MAY BE ENCOUNTERED DURING MOST INSTALLATIONS.

DON'T BE ALARMED IF EXTRA HARDWARE IS LEFT OVER WHEN INSTALLATION IS COMPLETE.

NOTE: NOT ALL KITS COME WITH WASHERS.

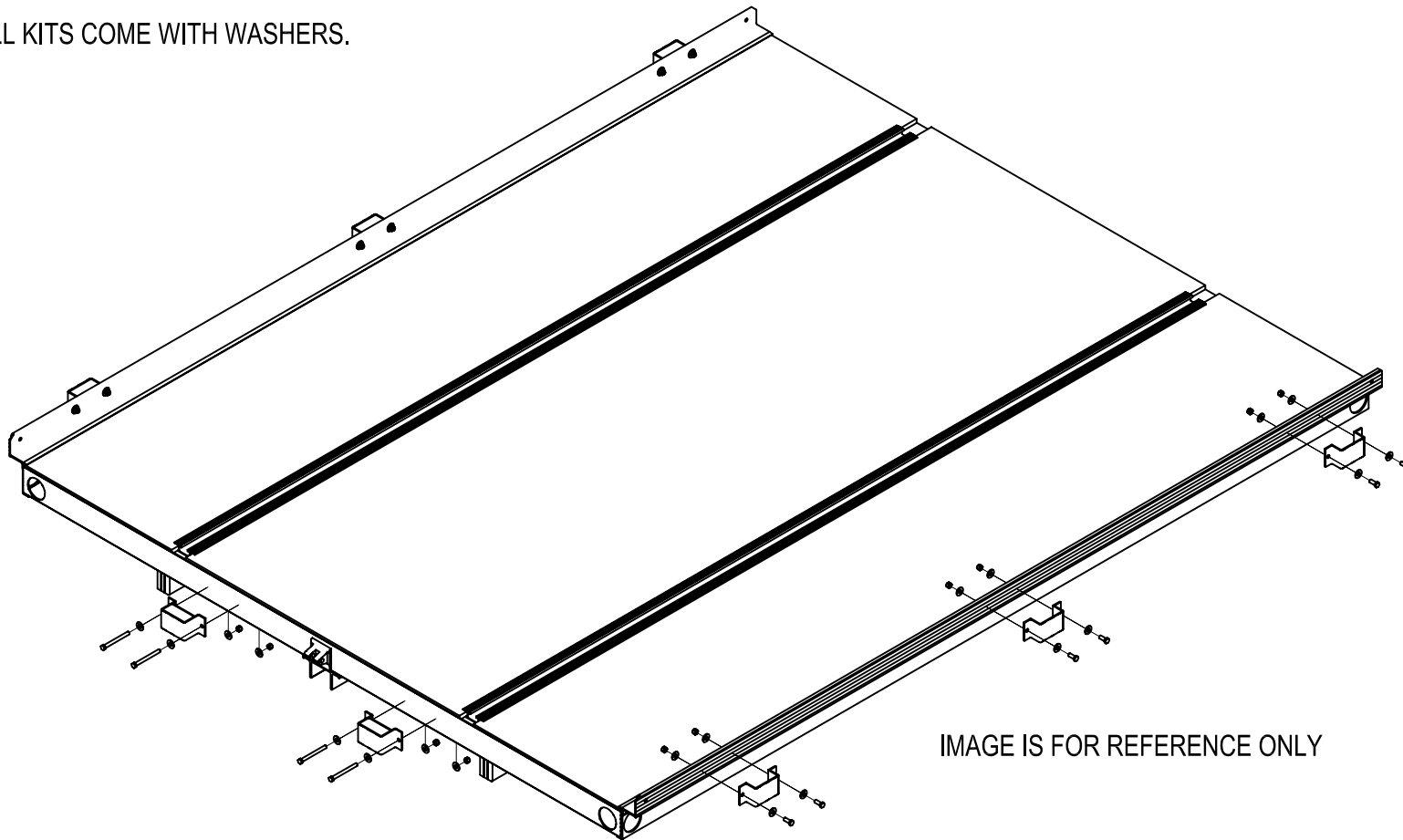


IMAGE IS FOR REFERENCE ONLY

TRITON Customer Instruction Sheet

KIT NO.:

DESCRIPTION

STAKE POCKET ASSEMBLY

DRAWN BY:

L Wagner

DATE:

4-26-06

DRAWING NO.:

06108

USE THESE INSTRUCTIONS WITH THE FOLLOWING KITS:

02784

06533

08535

10962