

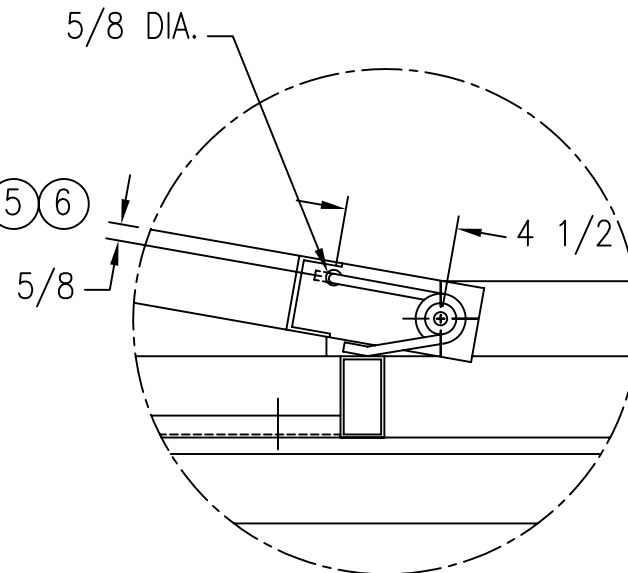
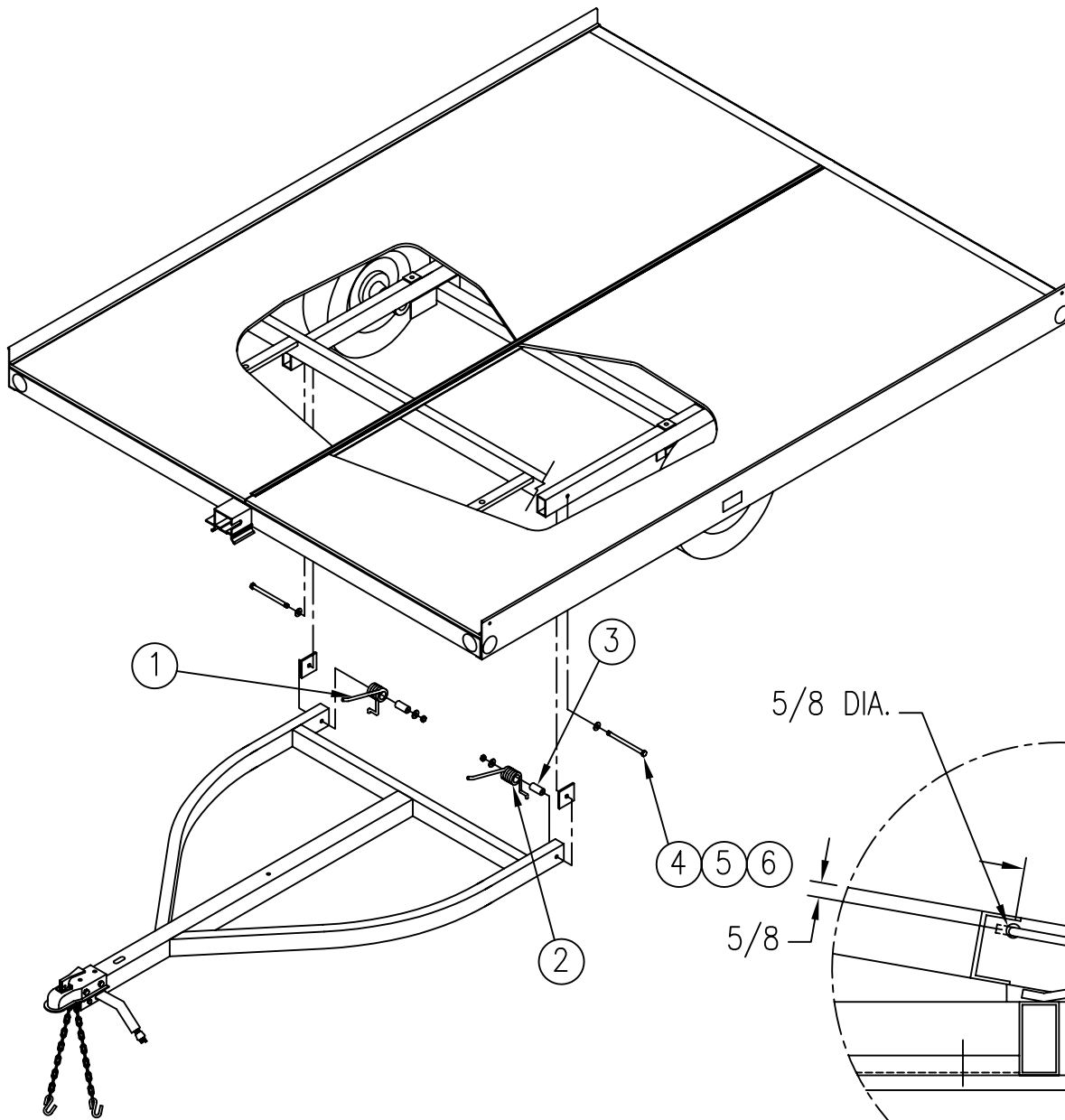
# TRITON Customer Instruction Sheet

DESCRIPTION: LIFT, STRAIGHT FRONT W/WB XT & LT  
 DRAWN BY: TF  
 DATE: 7-11-11  
 KIT NO: 07984  
 DRAWING NO.: 07985

#	PART NO.	DESCRIPTION	QTY
1	07883	SPRING, LIFT NON LP SIDE	1
2	07884	SPRING, LIFT LP SIDE	1
3	03180	BUSHING, LIFT KIT	2
4	01098	NUT, HEX LOC 1/2-13 Z/Y	2
5	02410	WASHER, FLAT 1/2 Z/Y	4
6	15092	BOLT, HHCS 1/2-13 X 7 1/2 Z/Y	2

## MOUNTING INSTRUCTIONS

1. LAY TRAILER UPSIDE DOWN.
2. REMOVE HARDWARE HOLDING TONGUE WELDMENT IN PLACE.
3. IF THE SPRING ANCHOR HOLES HAVE NOT BEEN PRE-DRILLED, DRILL (2) 5/8" DIAMETER HOLES AS SHOWN IN DETAIL -A-.
4. HOLD TONGUE AT LEAST 90° UP WITH PIVOT HOLES IN ALIGNMENT AND INSTALL LIFT KIT AS SHOWN. DO NOT OVER TIGHTEN BOLT.



DETAIL -A-

SCALE 4x

(IN VIEW SHOWN TRAILER IS UPSIDE DOWN.)