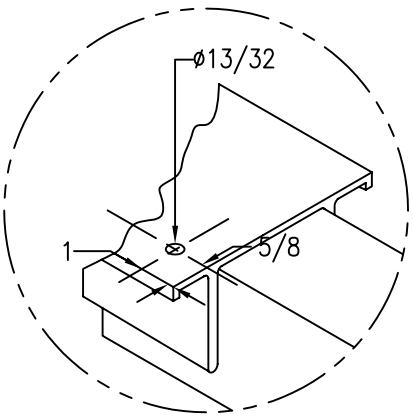
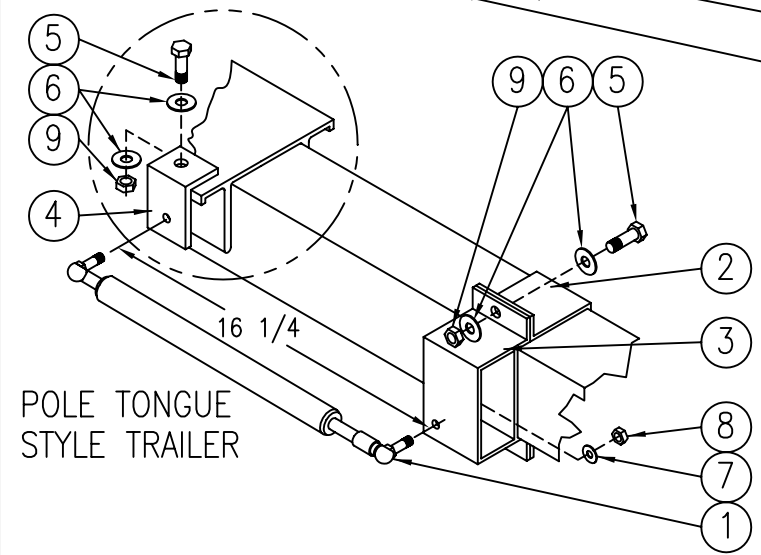
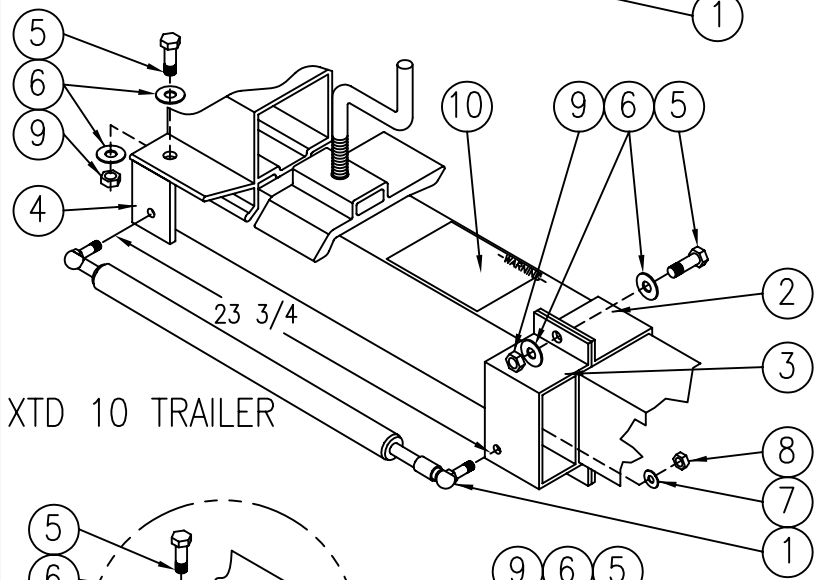
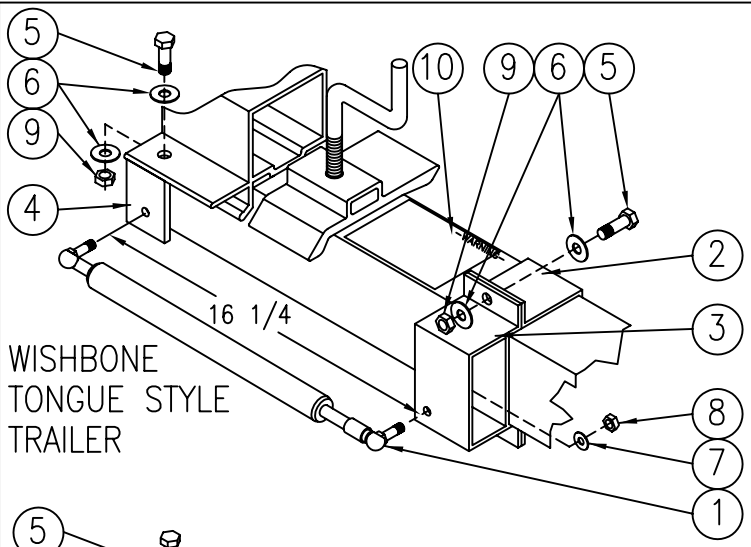


Installation Instructions For Gas Spring Lift Kits.

1. Determine the appropriate illustration for your trailer.
2. For pre-2000 pole tongue style trailers you are required to drill one 13/32 hole thru the tongue mount in the location illustrated in view A-A.
3. Install L-bracket (4) to the tongue mount as illustrated with the 3/8 hardware (5)(6)(9) listed below.
4. Install tongue brackets (2)(3) with the remaining 3/8 hardware. -WARNING- Maintaining dimension for gas spring mounting location is critical. Deviation from the dimension will void gas spring warranty.
5. Tilt bed of trailer to install gas spring (1) using 1/4 flat washer (7) and 5/16 lock nuts. (8) Note: Do Not Over Tighten.
6. For pre-2000 wishbone tongue style trailers clean tongue and apply warning decal (10) locate next to tongue latch.



10	1307304	Decal, Tongue Latch	1
9	0301153	3/8-16 Lock Nut	3
8	0304306	5/16-18 Lock Nut	2
7	0303418	1/4 Flat Washer	3
6	0301290	3/8 Flat Washer	6
5	0300982	3/8-16 x 1 1/4 H.H.C.S.	3
4	1506931	L-Bracket, Tongue Mount	1
3	1506926	Tongue Bracket, Right	1
2	1506927	Tongue Bracket, Left	1
1	0507302	Gas Spring (XTD)	1
1	0506928	Gas Spring (XT,LT & ELITE)	1
#	PART NO.	DESCRIPTION	QTY

<p>857 WEST STATE STREET HARTFORD, WISCONSIN 53027 triton@tritontrailers.com</p>		OPERATION:	
SCALE: 1/8=1	MATERIAL:	DRAWN BY: JMN	
DATE: 6-15-00			
BILL OF MATERIALS: Gas Spring Lift Kit		UNLESS OTHERWISE SPECIFIED TOLERANCES ARE AS FOLLOWS: DECIMAL X.XXX ±0.010 DECIMAL X.XX ±0.03 FRACTIONAL ±1/32	
DESCRIPTION: CUSTOMER INSTRUCTION SHEET		DRAWING NO.: 06935	