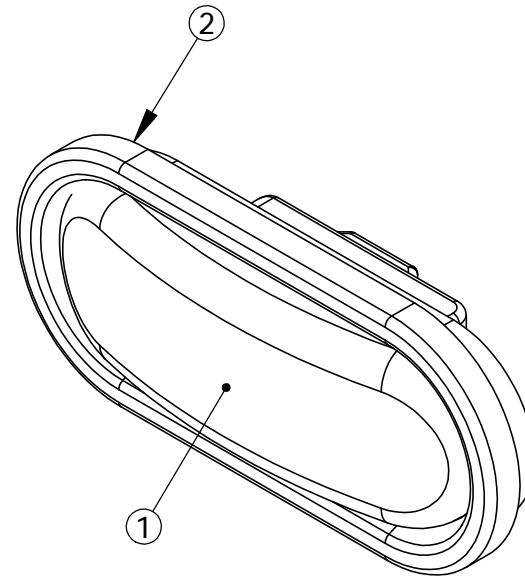
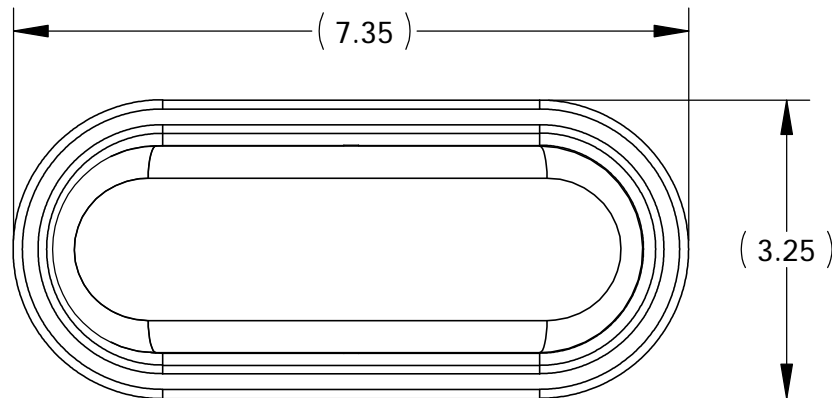


ITEM NO.	PART NUMBER	DESCRIPTION	QTY.
1	205-00027	OVAL TAIL LIGHT	1
2	205-00057	OVAL LIGHT GROMMET	1



NOTE:

- 1.) LIGHT COLOR: RED
- 2.) MEETS ALL U.S. FEDERAL LIGHTING REGULATIONS.
- 3.) MEETS SAE J759: T LENS CODING

ALL DIMENSIONS ARE IN INCHES
UNLESS OTHERWISE STATED
TOLERANCES EXCEPT AS NOTED

DECIMALS:
 .X ±0.100
 .XX ±0.060
 .XXX ±0.030
 .XXXX ±0.010

ANGLES:
 ±1°
 ALL FORMED ANGLES
 EQUAL 90° UNLESS
 NOTED OTHERWISE

THE INFORMATION IN THIS DRAWING IS THE SOLE
PROPERTY OF KARAVAN TRAILERS, INC. ANY
REPRODUCTION IN PART OR WHOLE WITHOUT
THE WRITTEN PERMISSION OF KARAVAN TRAILERS,
INC. IS PROHIBITED.

APPROVED BY:
CRICHTER

DRAWN BY:
MJ SCHREINER

DATE:
08-03-00

SHEET:
1 OF 1

SCALE:
N/A

KARAVAN
TRAILERS

TITLE:
TAIL LIGHT ASSY

MAT'L:
SEE B.O.M.

FINISH:
N/A

DWG. #:
205-00094-A

DWG. REV.	ECR/NDR NUMBER	REVISED BY	DATE	DESCRIPTION
A/2	14296	DLC	01-29-08	ADDED NOTE 2 & 3.
A/1	13363	TMM	12-08-05	TITLE WAS OVAL TAIL LIGHT ASSY. ADDED NOTE 3 AND BOM.

() INDICATES REFERENCE