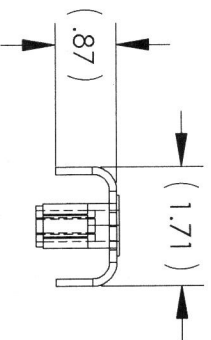
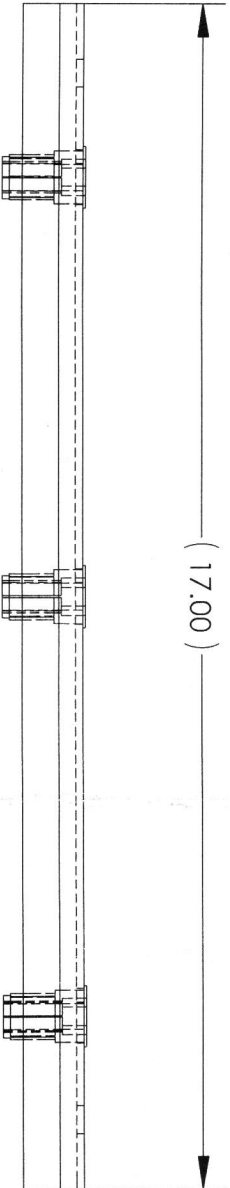
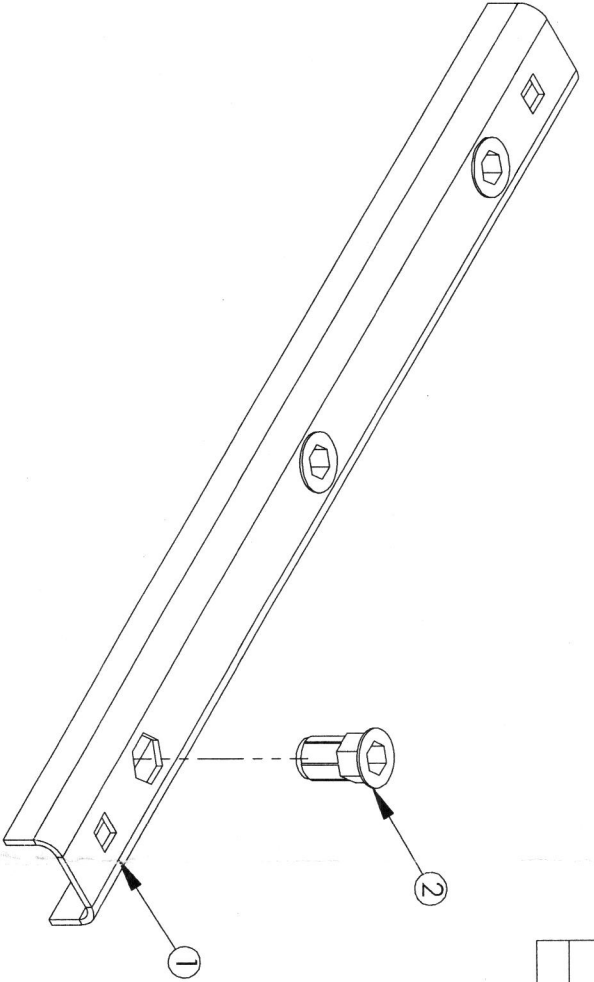


ITEM NO.	PART NO.	DESCRIPTION	QTY.
1	100-00378	TIE DOWN STRAP	1
2	210-00073	.50"-13 THREADED INSERT	3



ALL DIMENSIONS ARE IN INCHES
UNLESS OTHERWISE STATED
TOLERANCES EXCEPT AS NOTED

DECIMALS:

X .0-100
.XX .0100
.XXX .00100
.XXXX .00010

ANGLES:

±1°

ALL FORGED ANGLES
EQUAL 90° UNLESS
NOTED OTHERWISE

() INDICATES REFERENCE

THE INFORMATION ON THE DRAWING IS THE SOLE
PROPERTY OF KARAVAN TRAILERS, INC.
NO PART OF THIS DRAWING IS TO BE REPRODUCED
OR TRANSMITTED IN ANY FORM OR BY ANY MEANS
WITHOUT THE WRITTEN PERMISSION OF KARAVAN TRAILERS,
INC.

APPROVED BY:

DATE: 05-05-99

SYMBOL: 1 OF 1

SCALE: N/A

KARAVAN
TRAILERS

TITLE: TIE DOWN STRAP ASSY

DATE: 05-05-99

SYMBOL: 1 OF 1

DWG. #: 310-00504

DWG. REV.	ECR/IDR NUMBER	REVISED BY	DATE	DESCRIPTION
B	----	TKA	05-05-99	DRAWING CREATED FOR EXISTING ASSEMBLY