

# ValueShield **GOOD**

DESIGNED FOR COST  
CONSCIOUS CUSTOMERS

**2-YEAR  
WARRANTY**

**PREMIUM DIAPHRAGMS**  
feature high quality  
contaminate resistant  
rubber with nylon  
reinforced fabric tested  
well beyond the toughest  
industry specifications.

**RELEASE TOOL**  
included on chamber  
for maintenance ease.

**MOUNTING  
REINFORCEMENT**  
located to improve  
durability.

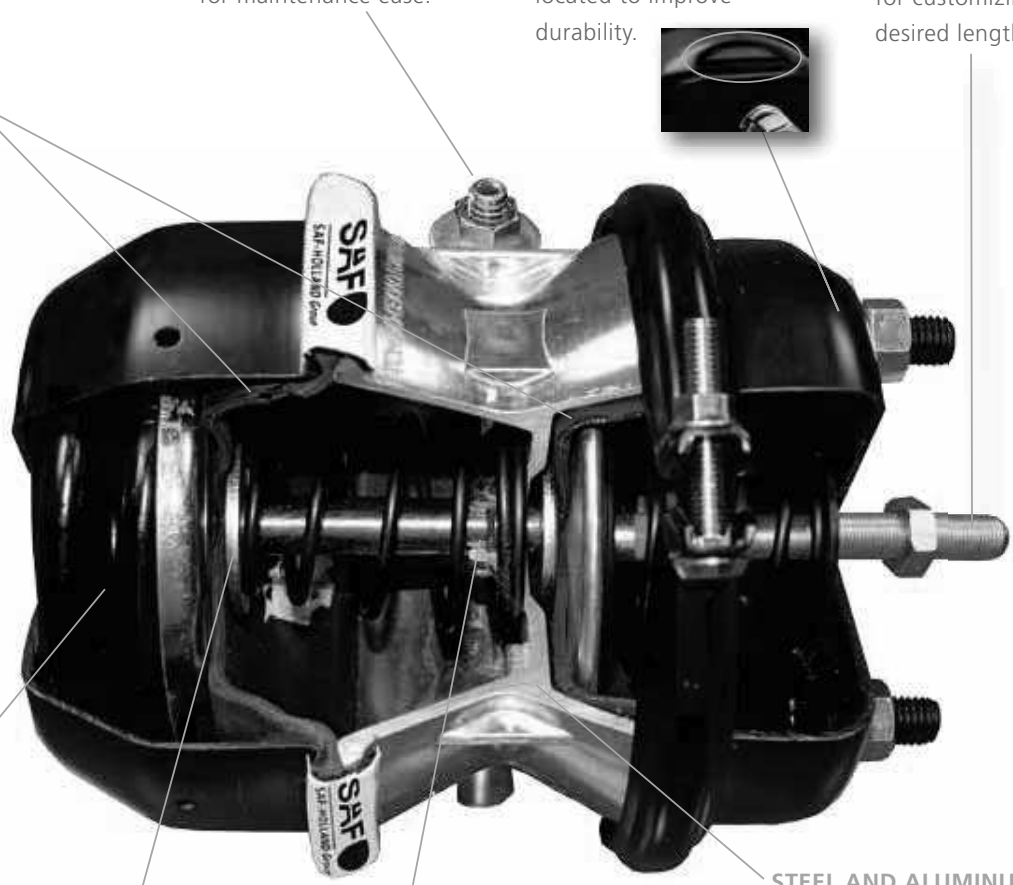
**LONG LENGTH  
PUSH ROD**  
for customizing to  
desired length.

**MAIN SPRING**  
specially coated with zinc  
phosphate base, then  
e-coated  
for superior  
corrosion  
protection.

**CENTER SEAL**  
with two self lubricating  
silicon o-rings provides  
the best possible leak  
protection for improved service life  
and lower maintenance costs.

**STEEL AND ALUMINUM  
DESIGN**  
E-coated steel spring  
housing with aluminum  
center section.

**SELF-GUIDED PRESSURE PLATE**  
assures consistent alignment of spring  
providing super smooth operation and  
less wear. Steel APR plate is e-coated  
to eliminate corrosion degradation.



VALUE SHIELD	GOOD - 2 YEAR WARRANTY
PART NO.	DESCRIPTION
50866000	3030 Tandem, 12.50" Long Push Rod, No Clevis, 2.5" Stroke <sup>1</sup>
50866001	3030 Tandem, 13.00" Long Push Rod, No Clevis, 3.0" Stroke <sup>1</sup>

Note: <sup>1</sup>Ports located 90° from mounting studs.  
Dimensions listed are for non-caged units.