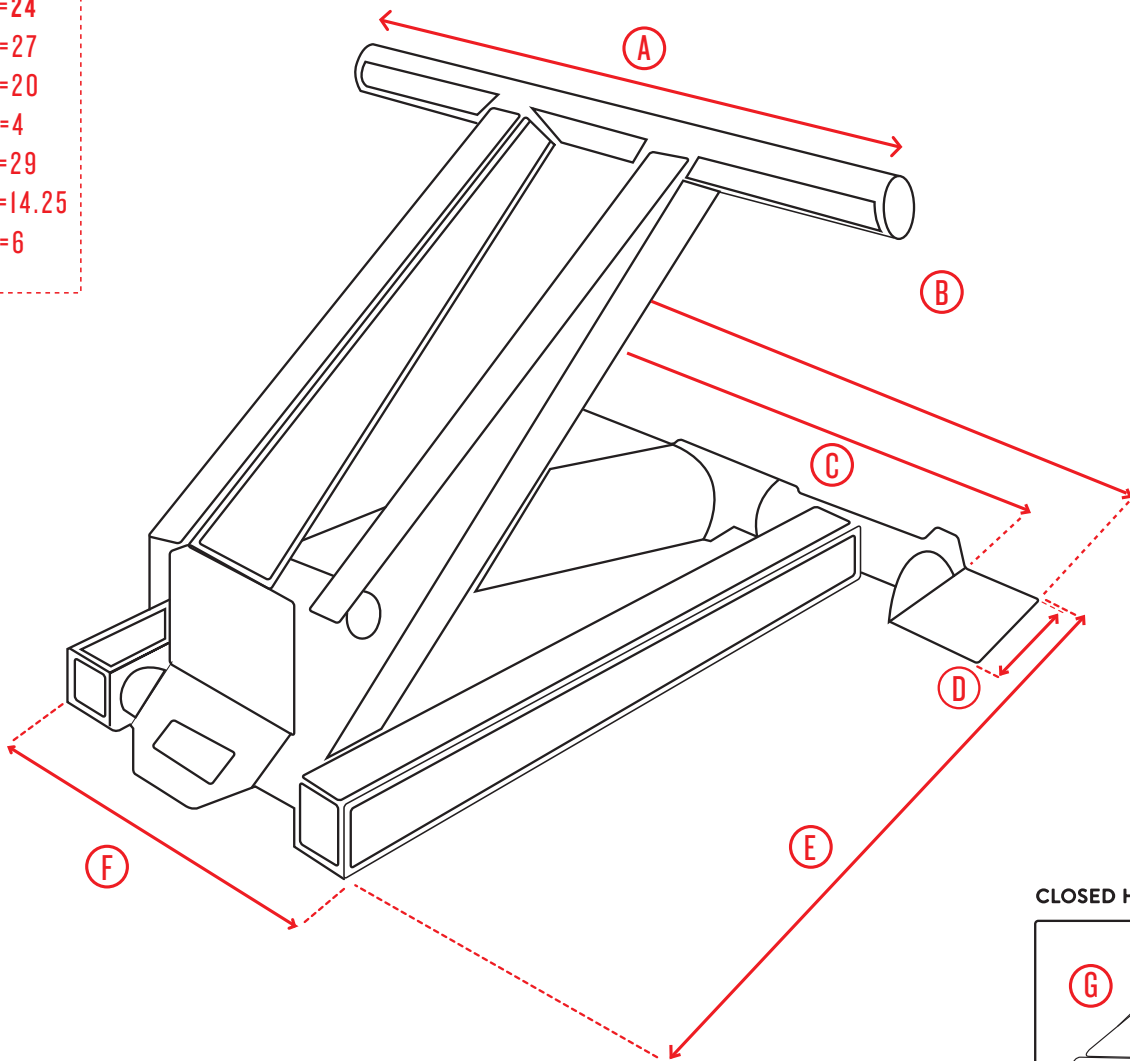


310  
MODEL

# POWER HOISTS

A=24  
B=27  
C=20  
D=4  
E=29  
F=14.25  
G=6



CLOSED HOIST

