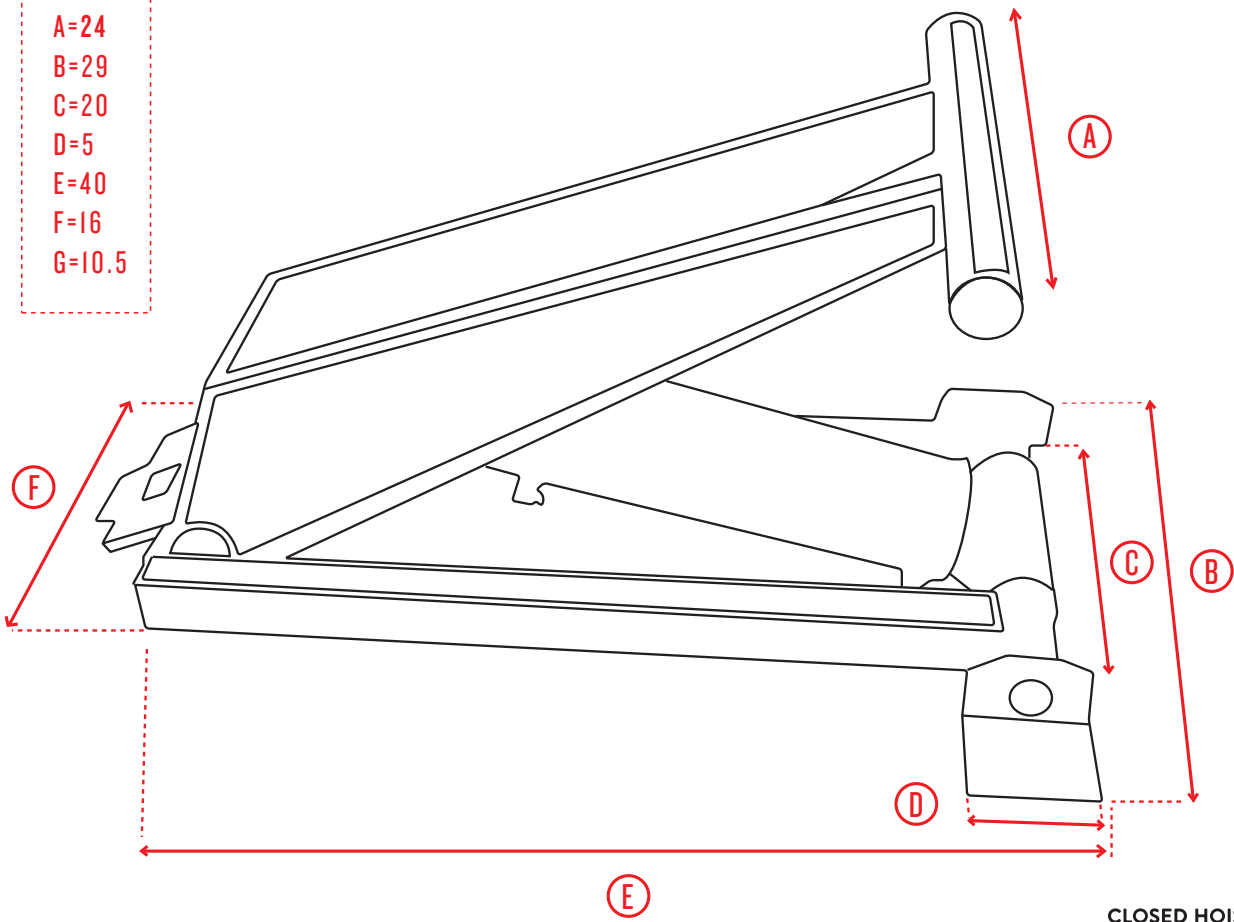


516  
MODEL

# POWER HOISTS

A=24  
B=29  
C=20  
D=5  
E=40  
F=16  
G=10.5



CLOSED HOIST

