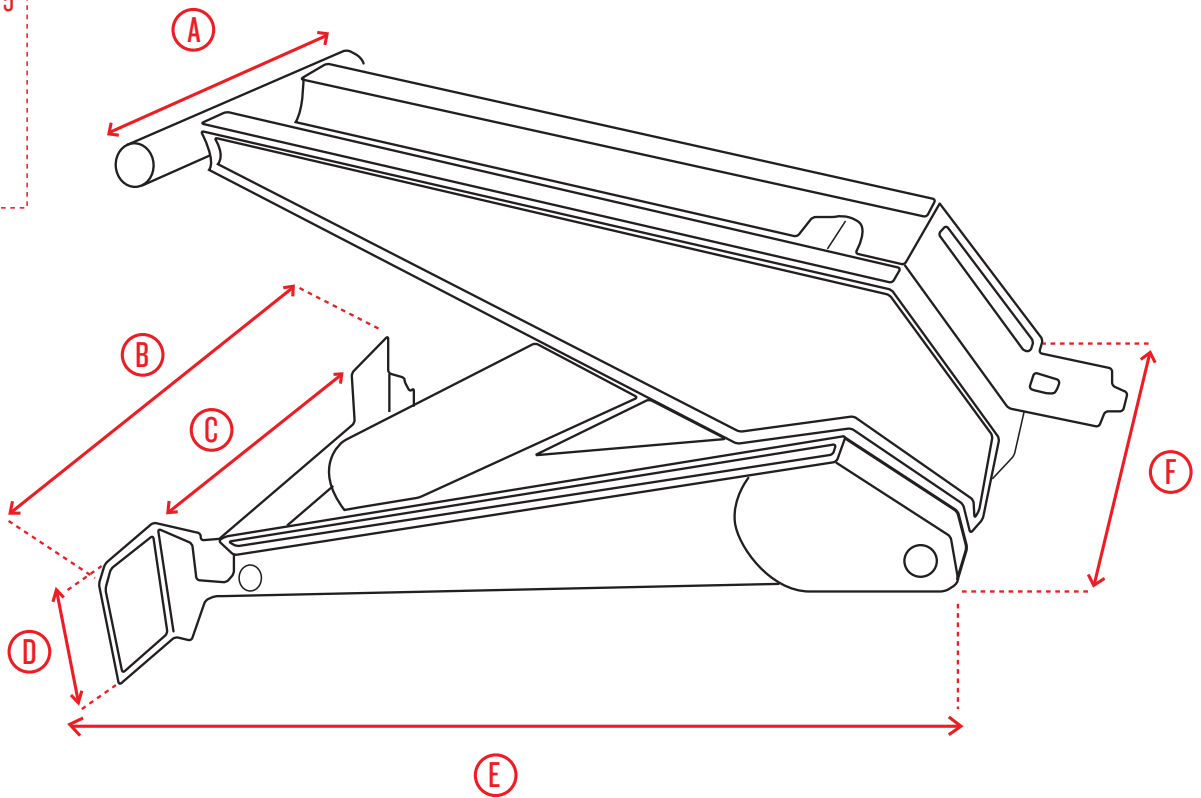


625  
MODEL

# POWER HOISTS

A=24  
B=38  
C=25.25  
D=10  
E=57.5  
F=23  
G=14



CLOSED HOIST

