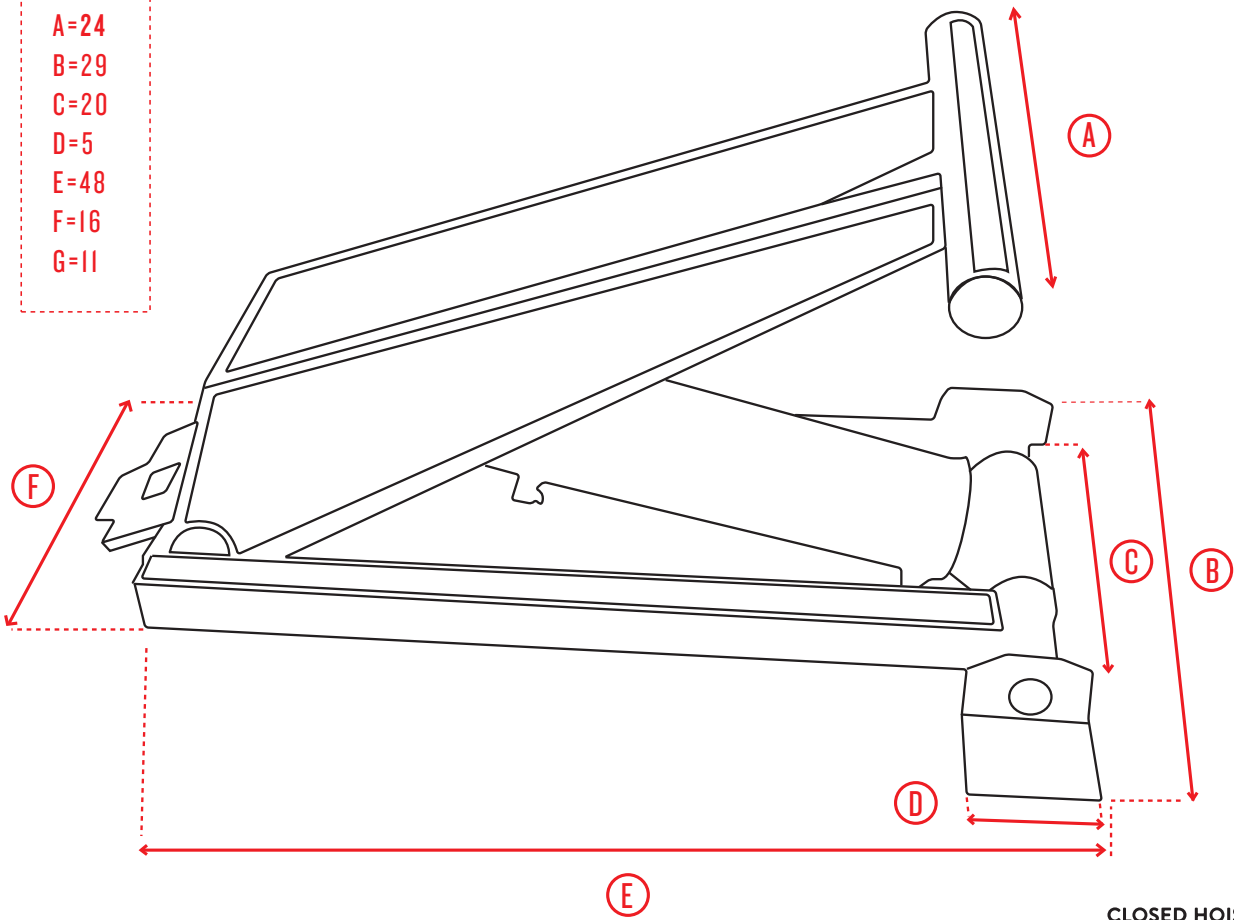


520
MODEL

POWER HOISTS

A=24
B=29
C=20
D=5
E=48
F=16
G=11



CLOSED HOIST

