
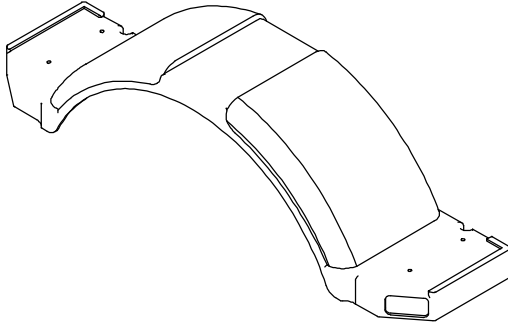
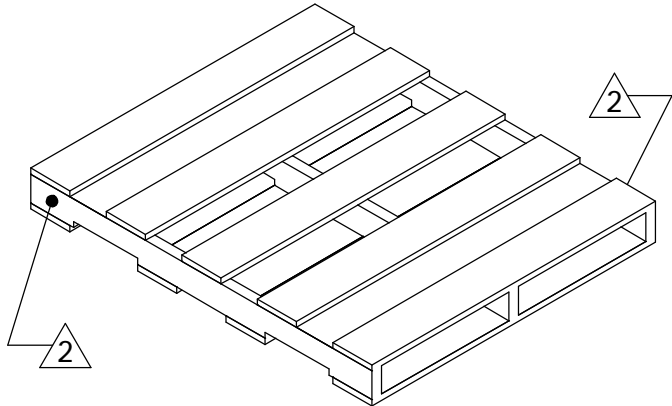
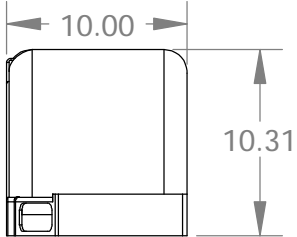
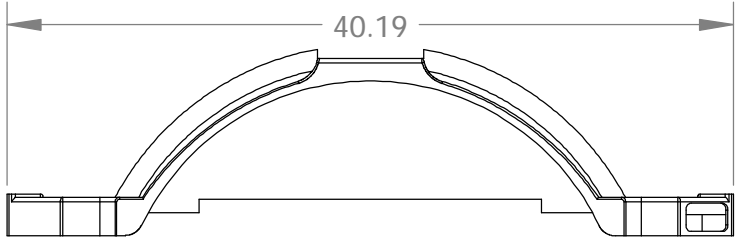



KARAVAN P/N	SUPPLIER P/N	QTY. PER BOX	REQUIRES ISPM-15 COMPLIANT PALLET
206-00088	206-00088	100	NO
206-00088(80)M 	206-00088(80)M	80	YES



'MARK' LOCATIONS FOR SHIPPING PALLET WHEN REQUIRED TO BE ISPM-15 COMPLIANT



NOTES:
1.) MATERIAL: POLYPROPYLENE

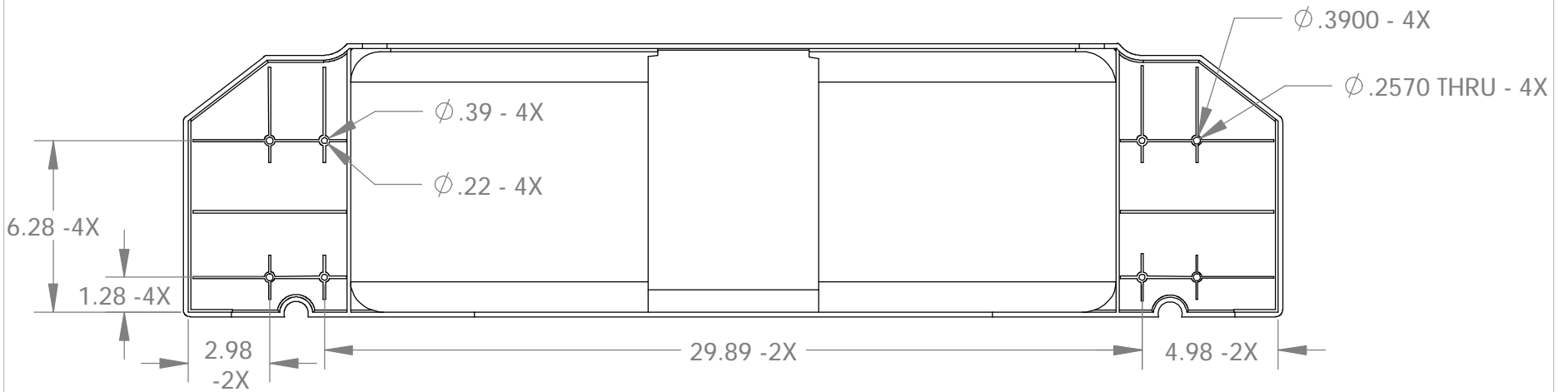
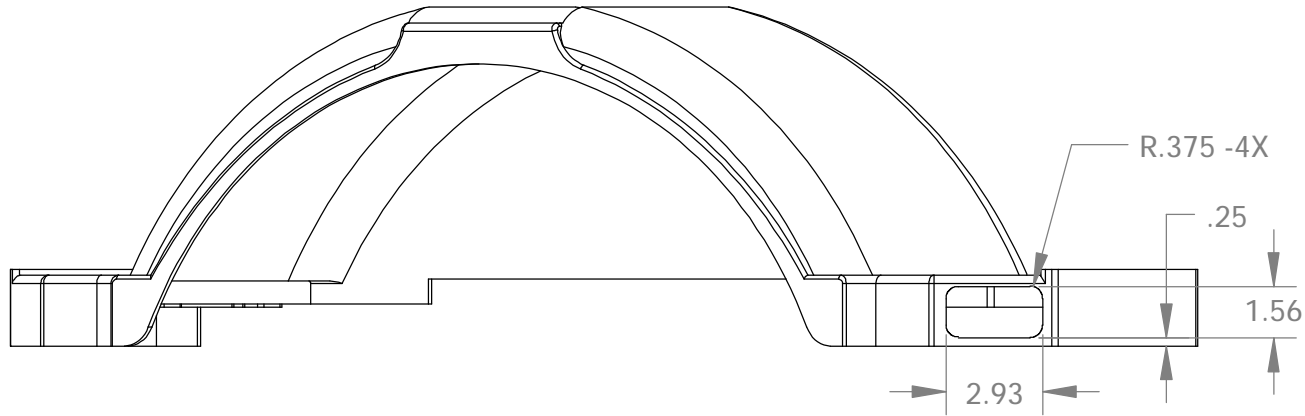
 THESE PARTS ARE REQUIRED TO HAVE A PALLET THAT IS COMPLIANT TO THE LATEST ISPM-15 (INTERNATIONAL STANDARDS FOR PHYTOSANITARY MEASURES) AND BARE 'MARKING FOR APPROVED MEASURES' ON TWO VISIBLE SURFACES, OPPOSITE OF EACH OTHER.

ALL DIMENSIONS ARE IN INCHES UNLESS OTHERWISE STATED
TOLERANCES EXCEPT AS NOTED
DECIMALS:
.X ±0.100
.XX ±0.060
.XXX ±0.030
.XXXX ±0.010
ANGLES:
±1°
ALL FORMED ANGLES EQUAL 90° UNLESS NOTED OTHERWISE
() INDICATES REFERENCE

THE INFORMATION IN THIS DRAWING IS THE SOLE PROPERTY OF KARAVAN TRAILERS, INC. ANY REPRODUCTION IN PART OR WHOLE WITHOUT THE WRITTEN PERMISSION OF KARAVAN TRAILERS, INC. IS PROHIBITED.
APPROVED BY:
DRAWN BY: *JOEL NEHRING*
DATE: 05-17-05
SHEET: 1 OF 2
SCALE: N/A

KARAVAN
TRAILERS
TITLE: 13" FENDER W/STEP R.H. (NO LOGO)
MAT'L: PURCHASED
FINISH: -BL, -GR, -SS, -WH, -BN
DWG. #: 206-00088

DWG. REV.	ECR/NDR NUMBER	REVISED BY	DATE	DESCRIPTION
B	15342	KMH	08-04-11	Ø.2570 THRU - 4X WAS Ø.22 - 4X; ADDED WEBBING TO DRAWING
A/2	13922	KDB	02-26-07	ADDED ISPM-15 NOTE, PART NUMBER REFERENCE BLOCK, PAGE 2



ALL DIMENSIONS ARE IN INCHES
UNLESS OTHERWISE STATED
TOLERANCES EXCEPT AS NOTED
DECIMALS:

.X ±0.100
.XX ±0.060
.XXX ±0.030
.XXXX ±0.010

ANGLES:
±1°

ALL FORMED ANGLES
EQUAL 90° UNLESS
NOTED OTHERWISE

() INDICATES REFERENCE

THE INFORMATION IN THIS DRAWING IS THE SOLE
PROPERTY OF KARAVAN TRAILERS, INC. ANY
REPRODUCTION IN PART OR WHOLE WITHOUT
THE WRITTEN PERMISSION OF KARAVAN TRAILERS,
INC. IS PROHIBITED.

APPROVED BY:

DRAWN BY:
JOEL NEHRING

DATE: 05-17-05

SHEET: 2 OF 2

SCALE: N/A

KARAVAN
TRAILERS

TITLE:
13" FENDER W/STEP R.H.
(NO LOGO)

MAT'L: PURCHASED

FINISH: -BL, -GR, -SS, -WH, -BN

DWG. #: 206-00088

DWG. REV.	ECR/NDR NUMBER	REVISED BY	DATE	DESCRIPTION
B	15342	KMH	08-04-11	Ø.2570 THRU - 4X WAS Ø.22 - 4X; ADDED WEBBING TO DRAWING
A/2	13922	KDB	02-26-07	ADDED ISPM-15 NOTE, PART NUMBER REFERENCE BLOCK, PAGE 2