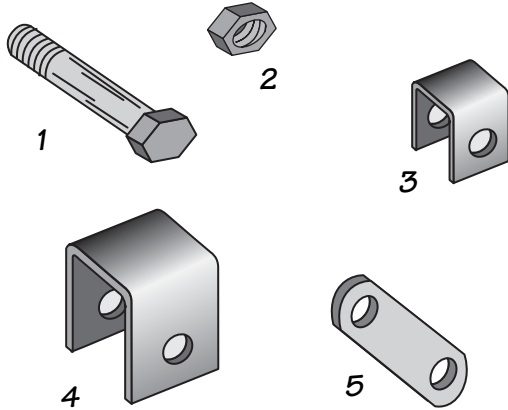




Single Axle Spring Hanger Kit

Installation Instructions
Part #86520/86530



Part #86520 - This kit contains the following components:

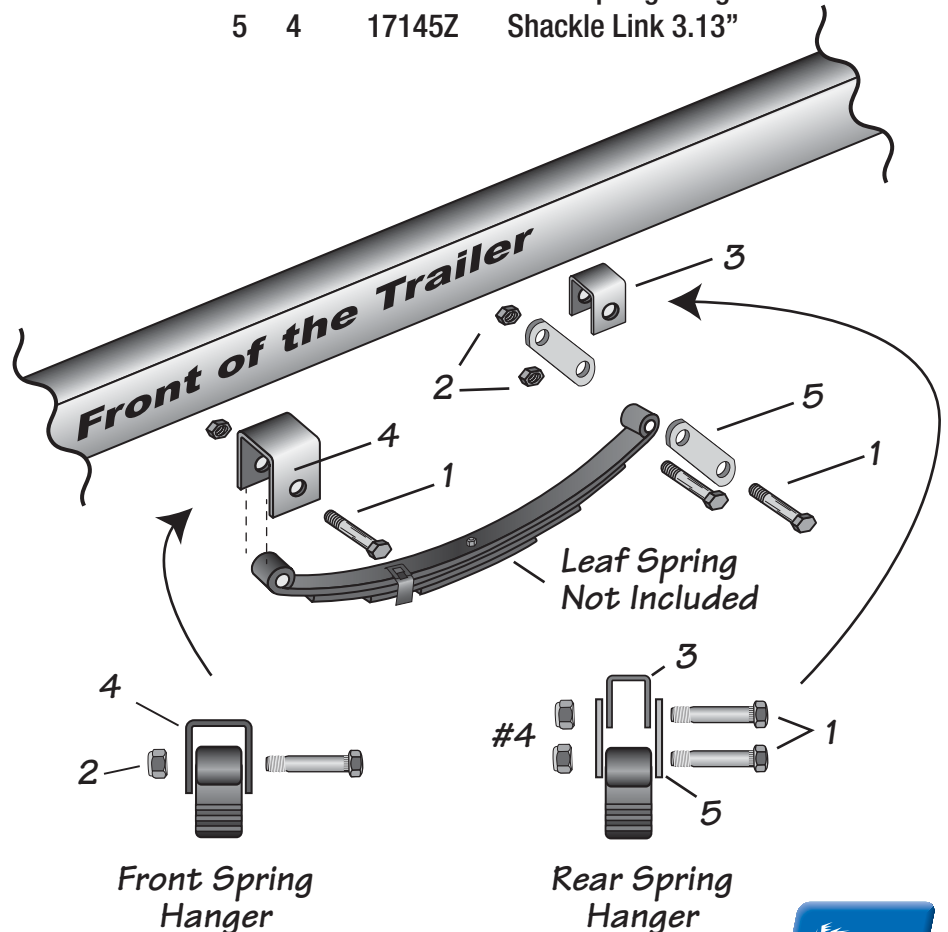
#	Qty.	Part #	Description
1	6	10830	Shackle Bolt 9/16" x 3"
2	6	10688	Nylock Nut 9/16"
3	2	17010	Rear Spring Hanger
4	2	17144	Front Spring Hanger
5	4	17145	Shackle Link 3.13"

Part #86530 - This kit contains the following components:

#	Qty.	Part #	Description
1	6	10830	Shackle Bolt 9/16" x 3"
2	6	10688	Nylock Nut 9/16"
3	2	17010Z	Rear Spring Hanger
4	2	17144Z	Front Spring Hanger
5	4	17145Z	Shackle Link 3.13"

Single Spring Axle Hanger Kit Instructions

Spring hangers for eye to eye springs are welded on the bottom of the frame. The spacing for the hangers is generally 1/2" shorter than the distance between the "eyes" of the spring. All measurements taken from center of brackets and center of spring "eyes". Single axle Eye to Eye springs require spring shackles on the rear mount to allow spring movement.



Instruction Sheet #08269

TIE DOWN ENGINEERING • 255 Villanova Drive SW • Atlanta, GA 30336
www.tiedown.com (404) 344-0000 Fax (404) 349-0401



A1477; 051616