



Battery Hold-Down Tray

9090, 9091

Installation Instructions

Attwood marine hardware, navigational lighting, bilge pumps, and other marine accessories are specified more than any other brand by America's best-known boat manufacturers as original equipment. Look to Attwood for quality replacement parts and marine accessories.

SAVE THESE INSTRUCTIONS

Form Number 69222 Rev. B

04-07

Attwood Battery Hold-Down Trays are designed to be used with standard batteries (24/24M and 27/27M series) including Gould 800 and Delco Voyager.

The adjustable-height crossbar holds the battery in place. Mounting holes in the tray make it easy to secure and prevent battery movement.

The tray is made of noncorrosive, heavy-duty black plastic.

Meets ABYC Standard E-10 and U.S. Coast Guard requirements.

TOOLS AND MATERIALS REQUIRED FOR INSTALLATION

1. Drill and a suitable drill bit
2. Eight #10 stainless steel wood/sheet metal pan head screws
3. Eight #10 stainless steel flat washers
4. Screwdriver

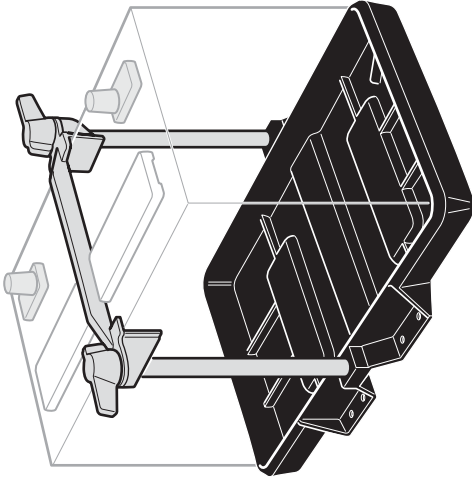
MOUNTING INSTRUCTIONS



CAUTION

Battery must be located in a well ventilated area to prevent buildup of explosive gasses. To prevent acid burns, locate in an area away from casual contact.

1. Determine a suitable location for the battery tray making sure there is enough room to work.
2. Using the battery tray as a template, mark the location of the screw holes. It is recommended that you use the mounting holes closest to the retaining bolt threads, if possible. You may wish to further secure the tray with additional screws.



© 2004 Attwood Corporation
1016 N. Monroe Street, Lowell, MI 49331-0260 www.attwoodmarine.com

3. Drill eight pilot holes for the screws. Do not drill through the bottom of the boat.
4. Fasten down the tray using the #10 screws and washers.
5. Place the battery into the tray.
6. Thread a bolt into the crossbar on each side. The bolts fit tightly to prevent them from becoming lost when changing batteries. Install the battery retainer and bolts (see Figure 1). Tighten moderately until bolts and/or crossbar bend slightly.

CAUTION

Overtightening the bolts could damage the threads or damage the crossbar.

7. Connect the battery cables, following the battery manufacturer's requirements for correct installation. The positive terminal should be insulated to prevent accidental shorting.

Figure 1

