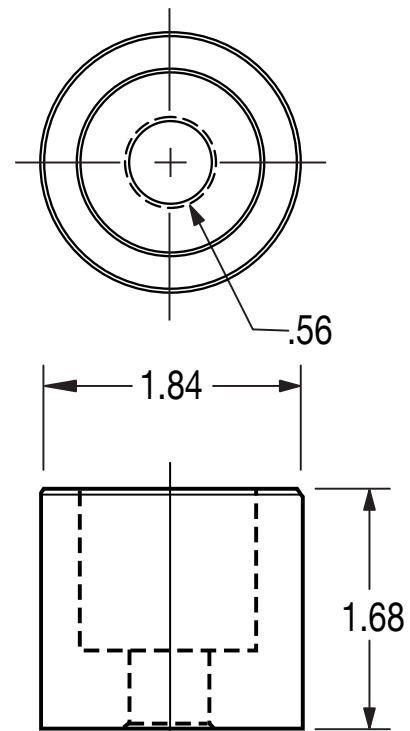


Great Dane Style
Door Bumpers
022-01084



Utility Style
Door Bumpers
022-01085

All illustrations, text, graphics, the selection and arrangement thereof, are Copyrights of Fleet Engineers, Inc. Any use of images, content, and other portions of this drawing, including reproduction, modification, distribution or republication, without prior written consent is strictly prohibited. Amendments and Errors Reserved. © 1963-2015, Fleet Engineers, Inc.

| DESCRIPTION | PART NUMBERS |
|-------------------------|------------------------|
| Door Bumpers | 022-01084 022-01085 |
| LITERATURE NUMBER | |
| DD-022-01084-A-20150904 | |

**FLEET
ENGINEERS**

1800 EAST KEATING AVENUE
MUSKEGON, MI 49442
PH: 1-800-333-7890 • F: 231-777-2720