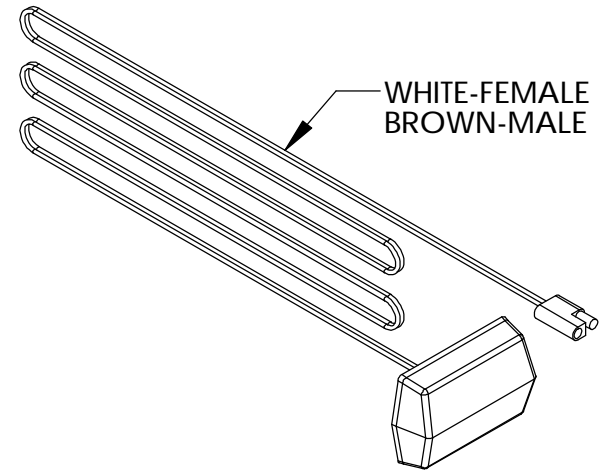
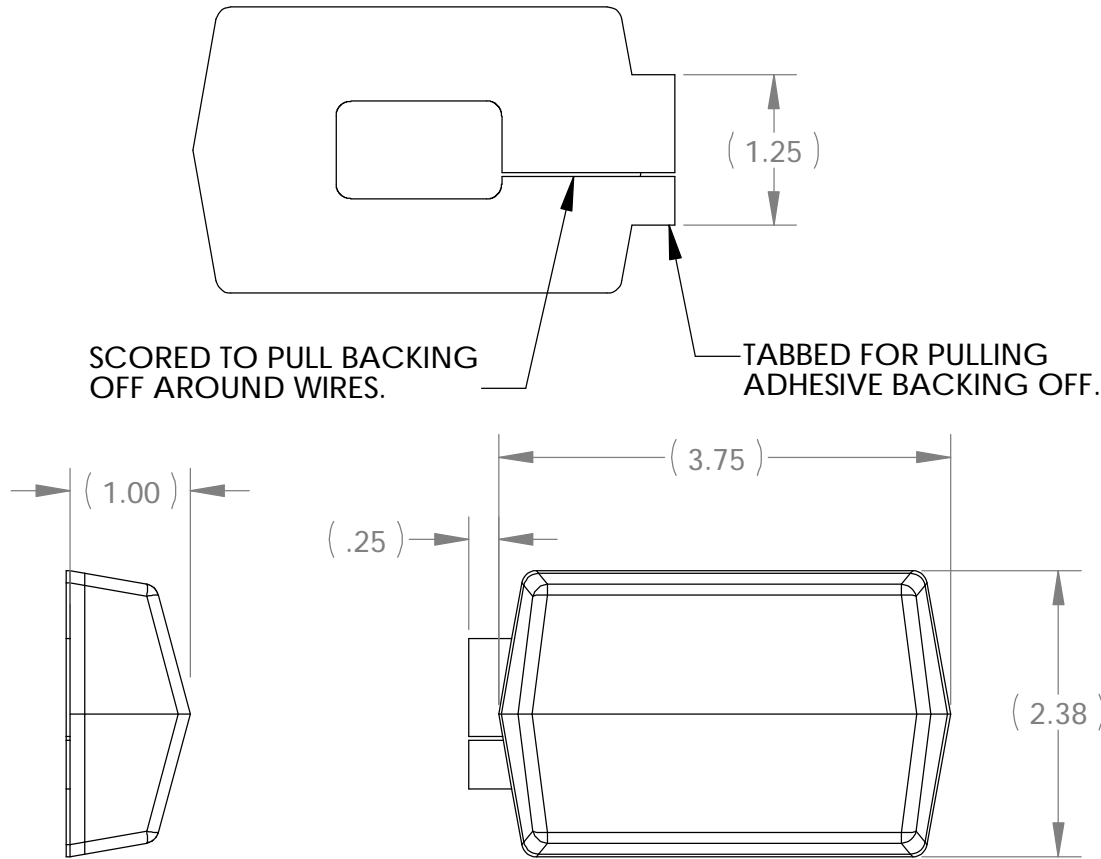


# BACK VIEW



**NOTE:**

- 1.) ADHESIVE BACK, WITH 2 POLE FLAT PLUG,
- 2.) WIRE LENGTH: 72"
- 3.) LIGHT COLOR: AMBER
- 4.) MEETS ALL U.S. FEDERAL LIGHTING REGULATIONS.
- 5.) MEETS SAE J759: P2,P3, PC\*, OR PC2\* LENS CODING  
(\*PHOTOMETRICALLY CERTIFIED AT INSTALLATION ANGLE.)

ALL DIMENSIONS ARE IN INCHES  
UNLESS OTHERWISE STATED  
TOLERANCES EXCEPT AS NOTED  
DECIMALS:  
.X ±0.100  
.XX ±0.060  
.XXX ±0.030  
.XXXX ±0.010

ANGLES:  
±1°  
ALL FORMED ANGLES  
EQUAL 90° UNLESS  
NOTED OTHERWISE

( ) INDICATES REFERENCE

THE INFORMATION IN THIS DRAWING IS THE SOLE  
PROPERTY OF KARAVAN TRAILERS, INC. ANY  
REPRODUCTION IN PART OR WHOLE WITHOUT  
THE WRITTEN PERMISSION OF KARAVAN TRAILERS,  
INC. IS PROHIBITED.

APPROVED BY:  
*DOUG DRAY*

DRAWN BY:  
*Amy L. Thomas*

DATE: 08-14-00

SHEET: 1 OF 1

SCALE: N/A



TITLE: CLEARANCE LIGHT

MAT'L: PURCHASED

FINISH: N/A

DWG. #: 205-00095-A

| DWG. REV. | ECR/NDR NUMBER | REVISED BY | DATE     | DESCRIPTION   |
|-----------|----------------|------------|----------|---|
| A/3       | 14296          | DLC        | 01-29-08 | ADDED NOTE 5.   |
| A/2       | 13396          | CR         | 12-30-05 | ADDED TAB AND SCORING FOR REMOVING BACKING, UPDATED DRAWING TO MATCH PART, ADDED NOTE 4 |