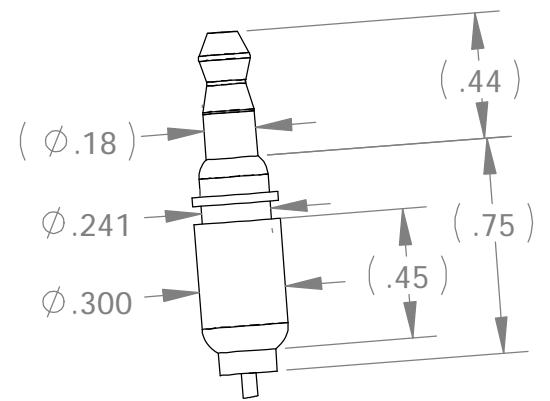


VIEW A  
PLUG LAYOUT



- NOTE:**
- 1.) MATERIAL: STAINLESS STEEL
  - 2.) LIGHT COLOR: RED
  - 3.) WIRE LENGTH: 74" (18 GA. BROWN/WHITE)
  - 4.) MEETS ALL U.S. FEDERAL LIGHTING REGULATIONS.
  - 5.) WIRES SHOULD PROTRUDE FROM BACK OF CENTER LIGHT, WITH ADHESIVE FLUSH WITH THE PROFILE.
  - 6.) MEETS SAE J759: P2 OR P3 LENS CODING

DWG. REV.	ECR/NDR NUMBER	REVISED BY	DATE	DESCRIPTION
A/3	14571	MJH	05-27-08	UPDATED PLUG SHAPE; ADDED VEIW A WITH DIMENSIONS.
A/2	14296	DLC	02-06-08	ADDED NOTE 6

ALL DIMENSIONS ARE IN INCHES UNLESS OTHERWISE STATED TOLERANCES EXCEPT AS NOTED

DECIMALS:  
 .X ±0.100  
 .XX ±0.060  
 .XXX ±0.030  
 .XXXX ±0.010

ANGLES:  
 ±1°

ALL FORMED ANGLES EQUAL 90° UNLESS NOTED OTHERWISE

( ) INDICATES REFERENCE

THE INFORMATION IN THIS DRAWING IS THE SOLE PROPERTY OF KARAVAN TRAILERS, INC. ANY REPRODUCTION IN PART OR WHOLE WITHOUT THE WRITTEN PERMISSION OF KARAVAN TRAILERS, INC. IS PROHIBITED.

APPROVED BY: ---

DRAWN BY: C-RICHTER

DATE: 01-03-06

SHEET: 1 OF 1

SCALE: N/A



TITLE:	ID BAR LIGHT SUBMERSIBLE
MAT'L:	PURCHASED
FINISH:	N/A
DWG. #:	205-00163-A