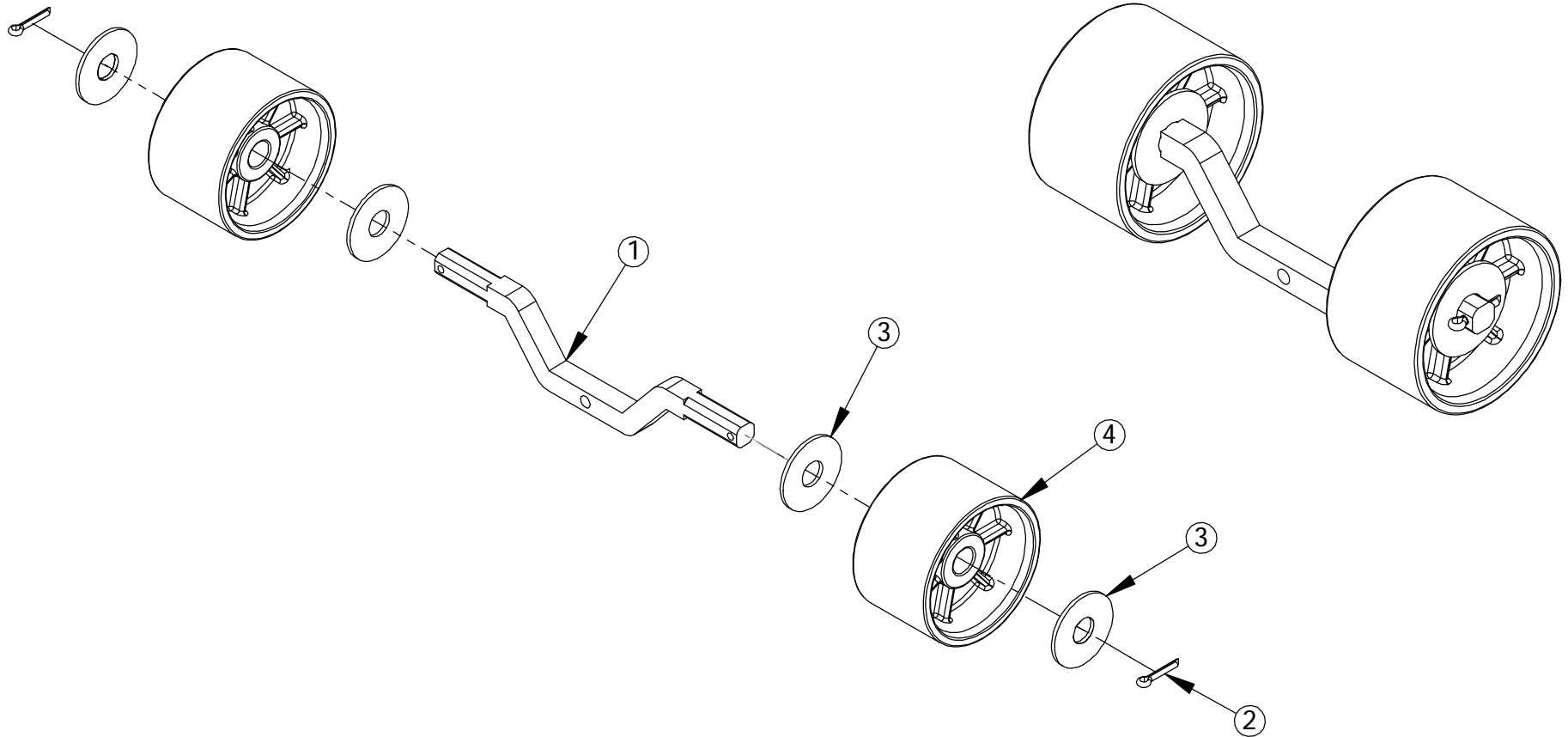


ITEM NO.	PART NUMBER	DESCRIPTION	QTY.
1	100-00043	ROLLER BAR	1
2	207-00043	COTTER PIN	2
3	210-00038	.875" FLAT WASHER	4
4	216-00030	RIBBED ROLLER	2



ALL DIMENSIONS ARE IN INCHES
UNLESS OTHERWISE STATED
TOLERANCES EXCEPT AS NOTED

DECIMALS:

.X ±0.100
.XX ±0.060
.XXX ±0.030
.XXXX ±0.010

ANGLES:

±1°

ALL FORMED ANGLES
EQUAL 90° UNLESS
NOTED OTHERWISE

() INDICATES REFERENCE

THE INFORMATION IN THIS DRAWING IS THE SOLE
PROPERTY OF KARAVAN TRAILERS, INC. ANY
REPRODUCTION IN PART OR WHOLE WITHOUT
THE WRITTEN PERMISSION OF KARAVAN TRAILERS,
INC. IS PROHIBITED.

APPROVED BY:

C-RICHTER

DRAWN BY:

DAN GROTH

DATE:

10-31-02

SHEET:

1 OF 1

SCALE:

N/A

KARAVAN

TITLE:

ROLLER ASSEMBLY

MAT'L:

SEE B.O.M.

FINISH:

N/A

DWG. #:

310-01505

DWG. REV.	ECR/NDR NUMBER	REVISED BY	DATE	DESCRIPTION
C	15807	MCS	10-07-14	CHANGED 229-00097 TO 207-00043
B	12538	JRN	08-01-03	UPDATED 216-00030 CHANGE TO BLUE