

NOTES:  
1.) MATERIAL: POLYPROPYLENE

ALL DIMENSIONS ARE IN INCHES  
UNLESS OTHERWISE STATED  
TOLERANCES EXCEPT AS NOTED  
DECIMALS:  
.X ±0.100  
.XX ±0.060  
.XXX ±0.030  
.XXXX ±0.010

ANGLES:  
±1°  
ALL FORMED ANGLES  
EQUAL 90° UNLESS  
NOTED OTHERWISE  
( ) INDICATES REFERENCE

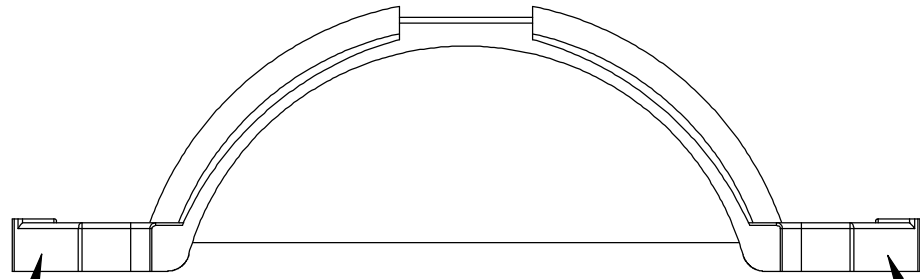
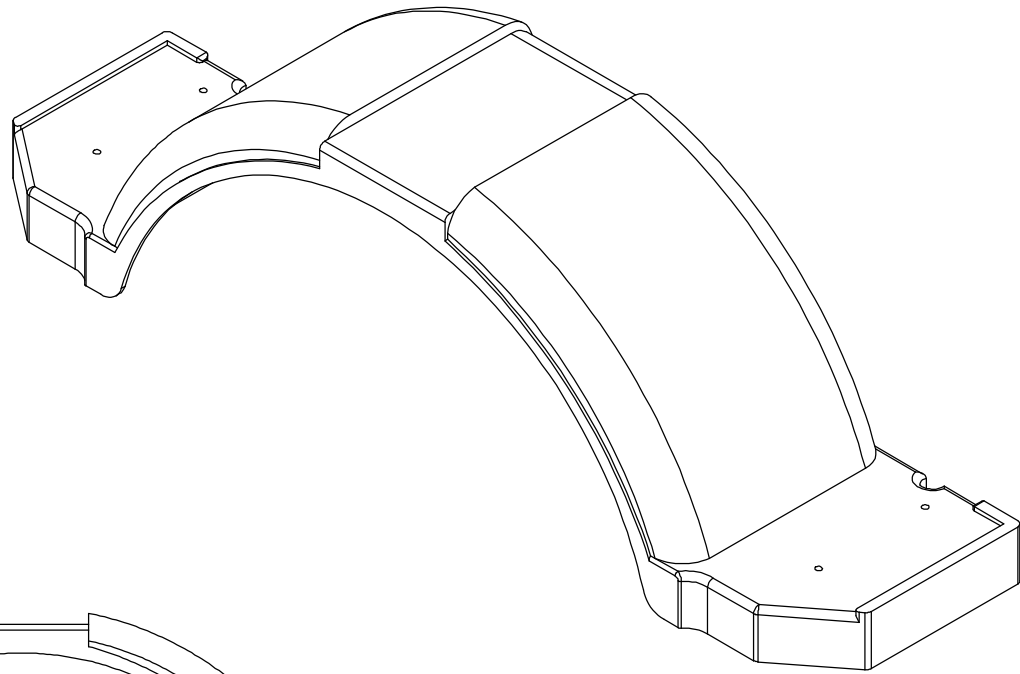
THE INFORMATION IN THIS DRAWING IS THE SOLE  
PROPERTY OF KARAVAN TRAILERS, INC. ANY  
REPRODUCTION IN PART OR WHOLE WITHOUT  
THE WRITTEN PERMISSION OF KARAVAN TRAILERS,  
INC. IS PROHIBITED.

APPROVED BY:  
DRAWN BY:  
DATE: 08-18-99  
SHEET: 1 OF 1  
SCALE: N/A

**KARAVAN**

TITLE: FENDER 13"  
(NO LOGO)  
MAT'L: PURCHASED  
FINISH: -BL, -GR, -SS, -WH, -BN  
DWG. #: 206-00049-C

DWG. REV.	ECR/NDR NUMBER	REVISED BY	DATE	DESCRIPTION
C/1	15342	JRS	05-31-16	ADDED SECOUND PAGE
C	15342	KMH	08-04-11	Ø.2570 THRU - 4X WAS Ø.22 - 4X; ADDED WEBBING TO DRAWING



LEFT-HAND PUNCH

RIGHT-HAND PUNCH

ALL DIMENSIONS ARE IN INCHES  
UNLESS OTHERWISE STATED  
TOLERANCES EXCEPT AS NOTED  
DECIMALS:

.X ±0.100  
.XX ±0.060  
.XXX ±0.030  
.XXXX ±0.010

ANGLES:  
±1°

ALL FORMED ANGLES  
EQUAL 90° UNLESS  
NOTED OTHERWISE

( ) INDICATES REFERENCE

THE INFORMATION IN THIS DRAWING IS THE SOLE  
PROPERTY OF KARAVAN TRAILERS, INC. ANY  
REPRODUCTION IN PART OR WHOLE WITHOUT  
THE WRITTEN PERMISSION OF KARAVAN TRAILERS,  
INC. IS PROHIBITED.

APPROVED BY:

---

DRAWN BY:

NAME

DATE:

5/12/1999

SHEET:

2 OF 2

SCALE:

N/A

**KARAVAN**

TITLE:

FENDER 13"  
(NO LOGO)

MAT'L:

PURCHASED

FINISH:

-BL, -GR, -SS, -WH, -BN

DWG. #:

206-00049-C

DWG. REV.	ECR/NDR NUMBER	REVISED BY	DATE	DESCRIPTION
C/1	15342	JRS	05-31-16	ADDED SECONDD PAGE
C	15342	KMH	08-04-11	Ø .2570 THRU - 4X WAS Ø .22 - 4X; ADDED WEBBING TO DRAWING