

NOTES:
 1.) MATERIAL: POLYPROPYLENE

ALL DIMENSIONS ARE IN INCHES
 UNLESS OTHERWISE STATED
 TOLERANCES EXCEPT AS NOTED
 DECIMALS:
 .X ±0.100
 .XX ±0.060
 .XXX ±0.030
 .XXXX ±0.010

ANGLES:
 ±1°
 ALL FORMED ANGLES
 EQUAL 90° UNLESS
 NOTED OTHERWISE

() INDICATES REFERENCE

THE INFORMATION IN THIS DRAWING IS THE SOLE
 PROPERTY OF KARAVAN TRAILERS, INC. ANY
 REPRODUCTION IN PART OR WHOLE WITHOUT
 THE WRITTEN PERMISSION OF KARAVAN TRAILERS,
 INC. IS PROHIBITED.

APPROVED BY: ---
 DRAWN BY:
 DATE: 08-18-99
 SHEET: 1 OF 2
 SCALE: N/A

KARAVAN

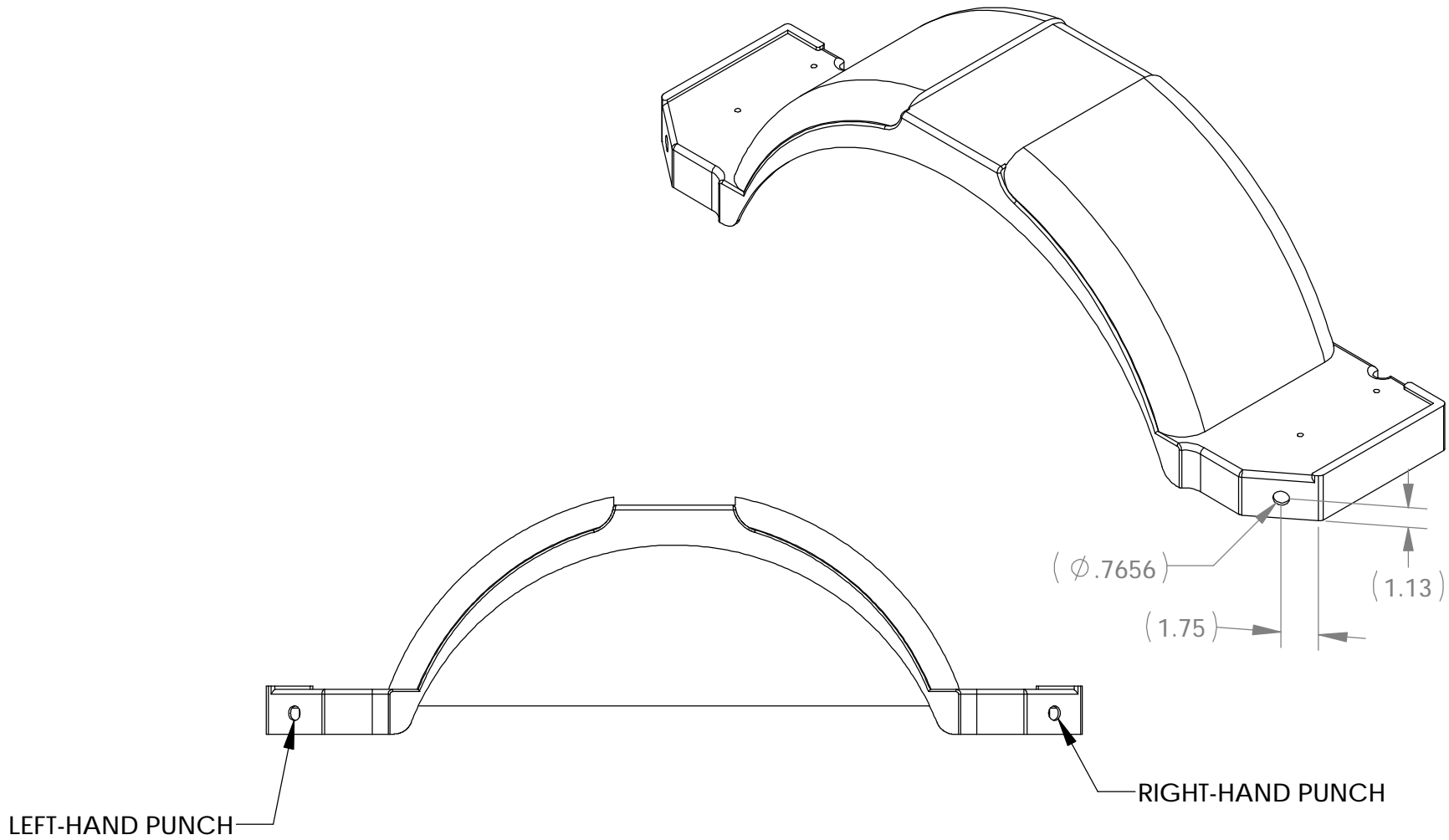
TITLE: 14" FENDER STEP
 (UNPUNCHED) NO LOGO

MAT'L: PURCHASED

FINISH: N/A

DWG. #: 206-00052-C

DWG. REV.	ECR/NDR NUMBER	REVISED BY	DATE	DESCRIPTION
C/1	15342	JRS	05-31-16	ADDED SECOUND PAGE
C	15342	KMH	08-08-11	Ø.2570 THRU - 4X WAS Ø.22 - 4X; ADDED WEBBING TO DRAWING



ALL DIMENSIONS ARE IN INCHES
UNLESS OTHERWISE STATED
TOLERANCES EXCEPT AS NOTED
DECIMALS:
.X ±0.100
.XX ±0.060
.XXX ±0.030
.XXXX ±0.010
ANGLES:
±1°
ALL FORMED ANGLES
EQUAL 90° UNLESS
NOTED OTHERWISE
() INDICATES REFERENCE

THE INFORMATION IN THIS DRAWING IS THE SOLE
PROPERTY OF KARAVAN TRAILERS, INC. ANY
REPRODUCTION IN PART OR WHOLE WITHOUT
THE WRITTEN PERMISSION OF KARAVAN TRAILERS,
INC. IS PROHIBITED.
APPROVED BY:

DRAWN BY:
NAME
DATE: 1/4/1999
SHEET: 2 OF 2
SCALE: N/A

KARAVAN
TITLE: 14" FENDER STEP
(UNPUNCHED) NO LOGO
MAT'L: PURCHASED
FINISH: N/A
DWG. #: 206-00052-C

C/1	15342	JRS	05-31-16	ADDED SECOUND PAGE
C	15342	KMH	08-08-11	Ø .2570 THRU - 4X WAS Ø .22 - 4X; ADDED WEBBING TO DRAWING
DWG. REV.	ECR/NDR NUMBER	REVISED BY	DATE	DESCRIPTION