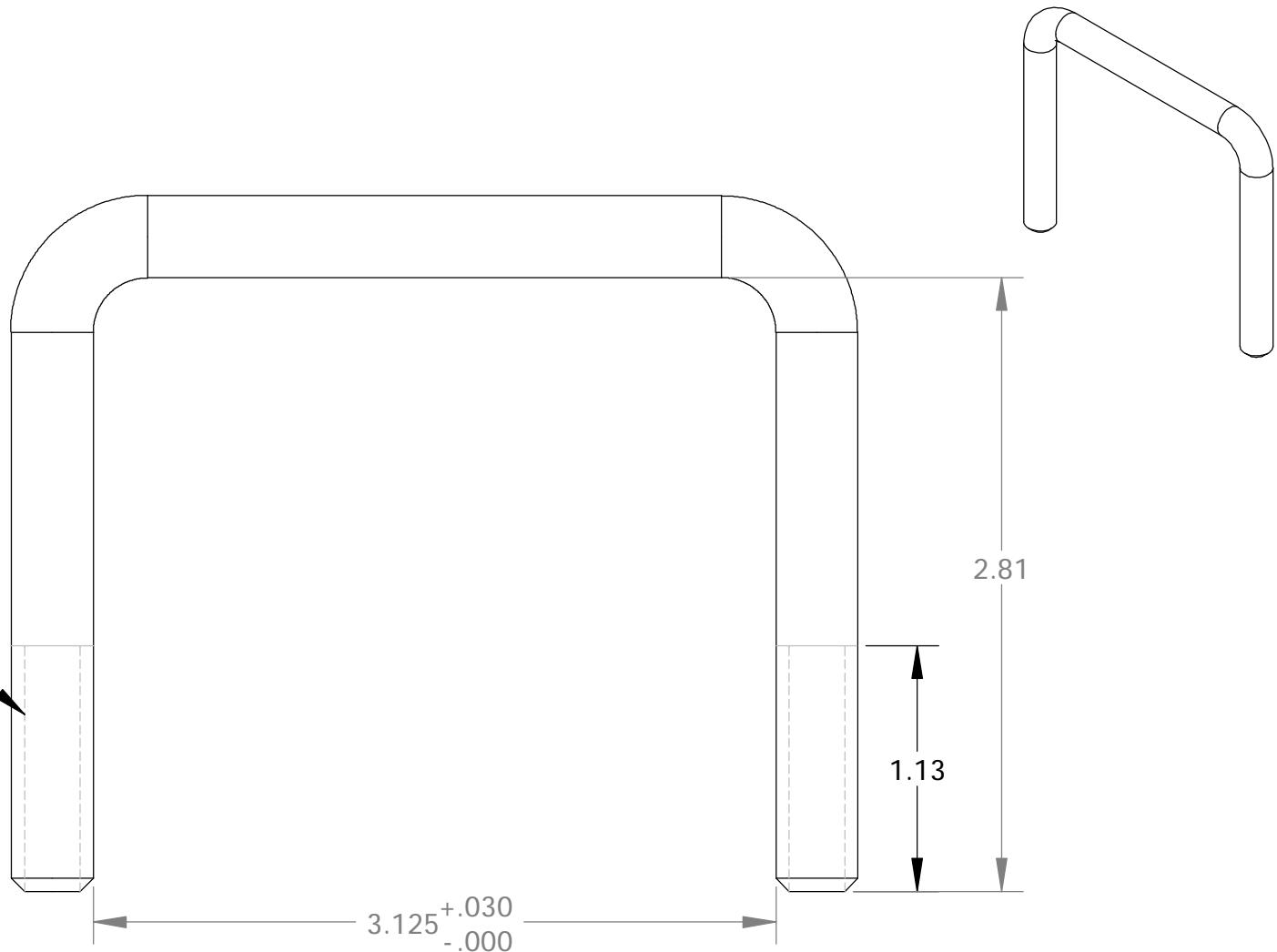


.375"-16 UNC-2A  
ROLLED



- NOTES:  
 1.) HOLD ALL 90° ANGLES  
 2.) U-BOLT GRADE: 2  
 3.) FINISH: ZP/ULTRASEAL OR JS-500  
 GL - HOT DIP GALVINIZED

ALL DIMENSIONS ARE IN INCHES  
 UNLESS OTHERWISE STATED  
 TOLERANCES EXCEPT AS NOTED

DECIMALS:

.X ±0.100  
 .XX ±0.060  
 .XXX ±0.030  
 .XXXX ±0.010

ANGLES:

±1°

ALL FORMED ANGLES  
 EQUAL 90° UNLESS  
 NOTED OTHERWISE

( ) INDICATES REFERENCE

THE INFORMATION IN THIS DRAWING IS THE SOLE  
 PROPERTY OF KARAVAN TRAILERS, INC. ANY  
 REPRODUCTION IN PART OR WHOLE WITHOUT  
 THE WRITTEN PERMISSION OF KARAVAN TRAILERS,  
 INC. IS PROHIBITED

APPROVED BY:

DRAWN BY:

DATE: 01-14-94

SHEET: 1 OF 1

SCALE: N/A

**KARAVAN**

TITLE: U-BOLT

MAT'L: PURCHASED

FINISH: N/A

DWG. #: 210-00054

DWG. REV.	ECR/NDR NUMBER	REVISED BY	DATE	DESCRIPTION
H	15036	MCS	02-06-15	UPDATED PRINT
G/1	15036	KMD	12-28-09	ADDED GL FINISH