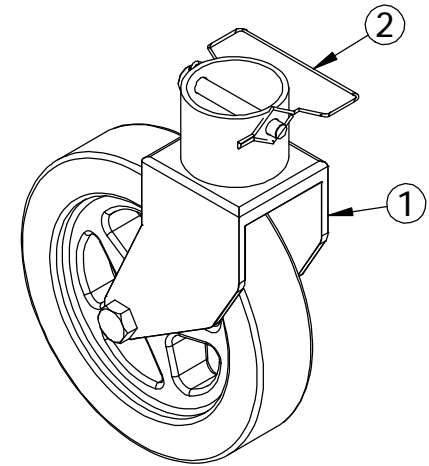
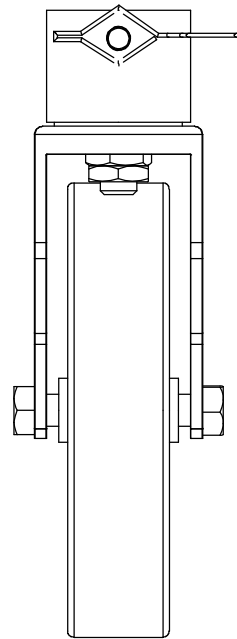
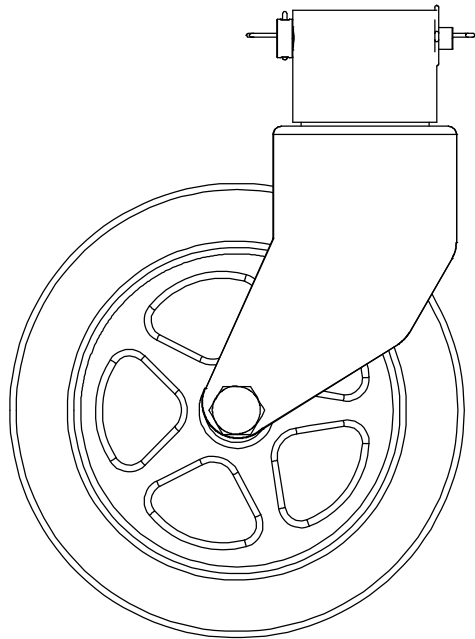
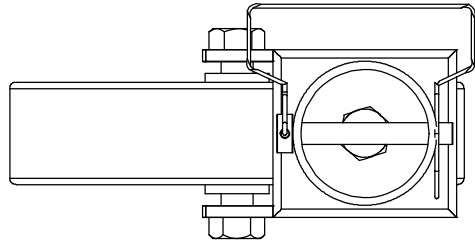


ITEM#	DESCRIPTION
1	JACK WHEEL
2	PIN



ALL DIMENSIONS ARE IN INCHES
UNLESS OTHERWISE STATED
TOLERANCES EXCEPT AS NOTED

DECIMALS:

.X ±0.100
.XX ±0.060
.XXX ±0.030
.XXXX ±0.010

ANGLES:
±1°

ALL FORMED ANGLES
EQUAL 90° UNLESS
NOTED OTHERWISE

() INDICATES REFERENCE

THE INFORMATION IN THIS DRAWING IS THE SOLE
PROPERTY OF KARAVAN TRAILERS, INC. ANY
REPRODUCTION IN PART OR WHOLE WITHOUT
THE WRITTEN PERMISSION OF KARAVAN TRAILERS,
INC. IS PROHIBITED.

APPROVED BY:

DRAWN BY:

Mike Stansberry

DATE:

11/3/2014

SHEET:

1 OF 1

SCALE:

N/A

KARAVAN

TITLE:

TONGUE JACK WHEEL

MAT'L:

N/A

FINISH:

N/A

DWG. #:

214-00022-sp2-A

DWG. REV.	ECR/NDR NUMBER	REVISED BY	DATE	DESCRIPTION
A	15803	MCS	11-03-14	DRAWING CREATED